

ISO B/STEEL

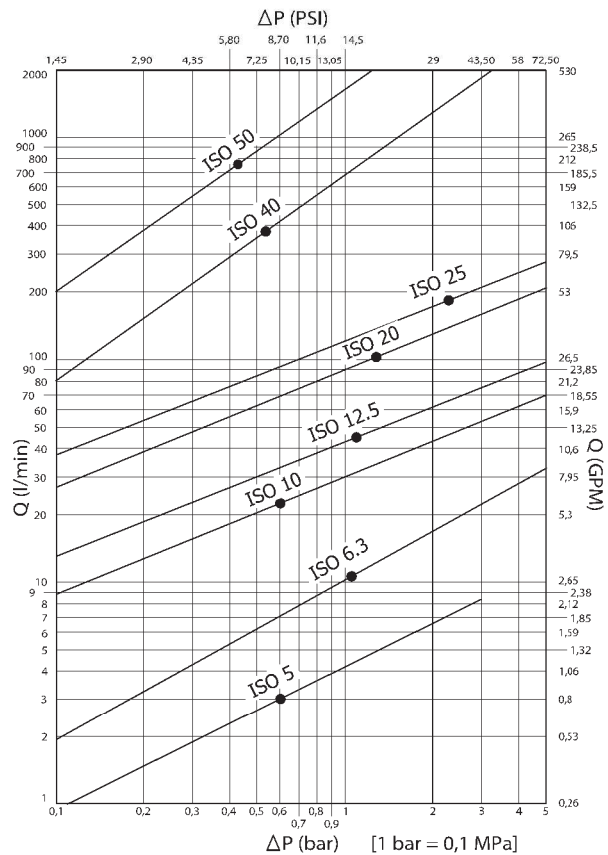
Technical data

- Standard: ISO 7241 B
- Occlusion: poppet
- Locking: radial balls
- Material: steel
- Finishing: Zn-Fe (Cr III)
- Threads: BSP-NPT-SAE
- Standard seals: NBR
- Working temperature: -25°C+100°C
- Optional seals: FKM,FFKM,EPDM or more.
- Working pressure: 100-500 bar
- Connection under residual pressure: not allowed

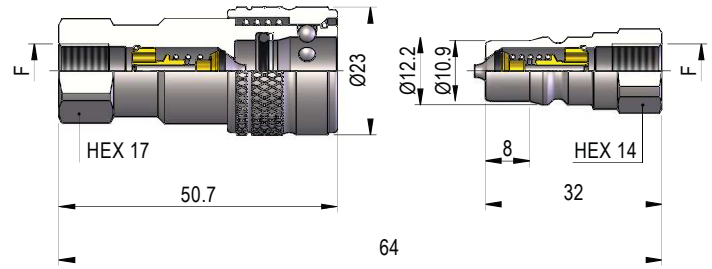


| Nominal size | | | | Max working pressure | Rated flow | Max Flow rate | Min burst pressure | | | Fluid spillage |
|--------------|----|------|------|----------------------|------------|---------------|--------------------|--------|---------|----------------|
| | | | | | | | Male | Female | Coupled | |
| DNP | BG | ISO | mm | MPa | l/min | l/min | MPa | MPa | MPa | cc |
| 04 | 0 | 5 | 4.2 | 50 | 3 | 9 | 240 | 230 | 270 | 0.50 |
| 06 | 1 | 6.3 | 6.5 | 25 | 12 | 24 | 110 | 180 | 100 | 1.00 |
| 10 | 2 | 10 | 8.5 | 25 | 23 | 46 | 140 | 140 | 130 | 2.40 |
| 13 | 3 | 12.5 | 10.5 | 25 | 45 | 90 | 110 | 140 | 110 | 3.90 |
| 20 | 4 | 20 | 15.8 | 25 | 106 | 220 | 100 | 130 | 120 | 11.00 |
| 25 | 5 | 25 | 17.3 | 25 | 189 | 260 | 100 | 110 | 100 | 19.00 |
| 39 | 7 | 40 | 36 | 20 | 379 | 757 | 80 | 80 | 80 | 95.00 |
| 50 | 8 | 50 | 50 | 10 | 757 | 1000 | 40 | 40 | 40 | 170.00 |

1 MPa = 145.04 psi • 1 l = 0.264 gal

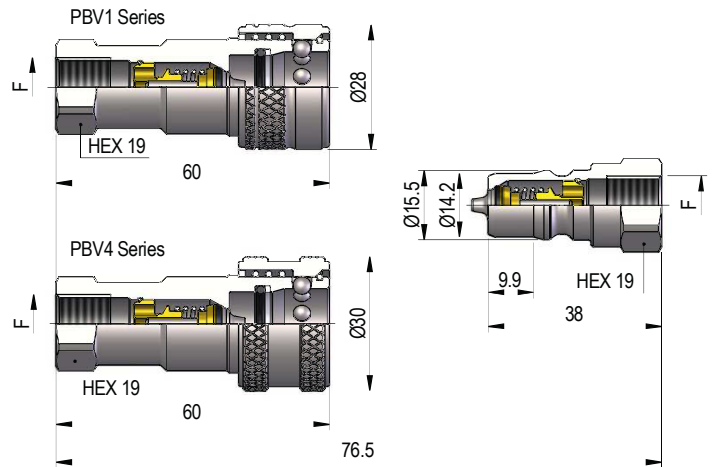


PBV1 DN04 - BG 0 - ISO 5



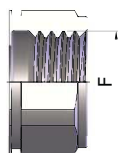
| THREADS | F | STANDARD | FEMALE | | | MALE | | |
|---------|----------|--------------|---------------|------------|-----------------|---------------|------------|-----------------|
| | | | COD. F | Weight (g) | Packaging (pcs) | COD. M | Weight (g) | Packaging (pcs) |
| IG 1 | BSP 1/8" | DIN 3852-2 | PBV1.0404.002 | 89 | 160 | PBV1.0404.003 | 20 | 500 |
| | NPT 1/8" | ANSI B1.20.1 | PBV1.0404.012 | 89 | 160 | PBV1.0404.013 | 20 | 500 |

PBV1 DN06 - BG 1 - ISO 6.3

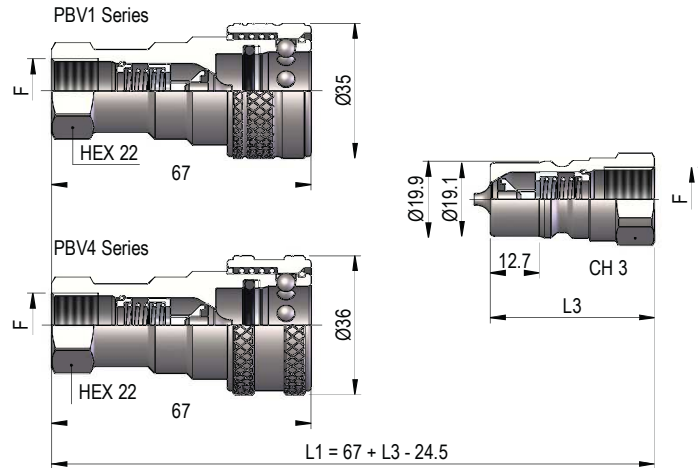


| THREADS | F | STANDARD | FEMALE | | | MALE | | |
|---------|----------|--------------|---------------|------------|-----------------|---------------|------------|-----------------|
| | | | COD. F | Weight (g) | Packaging (pcs) | COD. M | Weight (g) | Packaging (pcs) |
| IG 1 | BSP 1/4" | DIN 3852-2 | PBV1.0606.002 | 123 | 100 | PBV1.0606.003 | 39 | 300 |
| | NPT 1/4" | ANSI B1.20.1 | PBV1.0606.012 | 124 | 100 | PBV1.0606.013 | 40 | 300 |
| | BSP 1/4" | DIN 3852-2 | PBV4.0606.002 | 133 | 80 | | | |
| | NPT 1/4" | ANSI B1.20.1 | PBV4.0606.012 | 134 | 80 | | | |

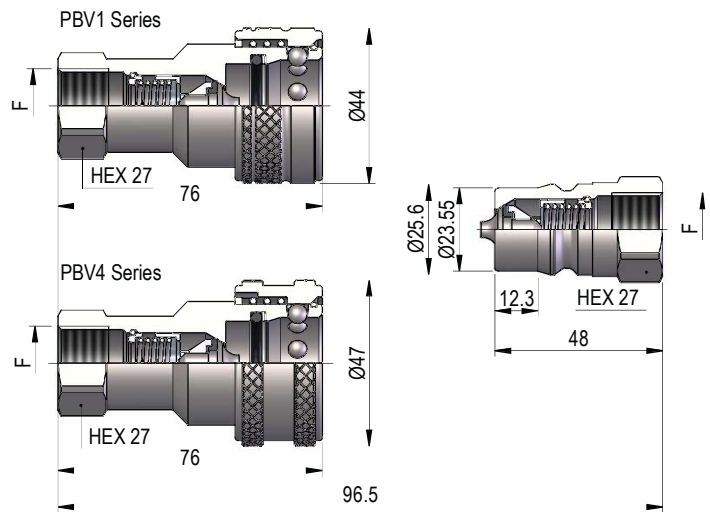
THREADS



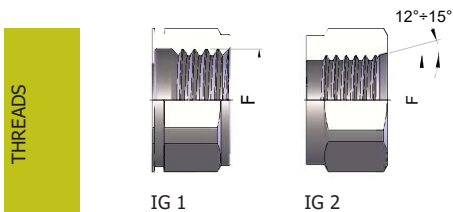
IG 1

PBV1 DN10 - BG 2 - ISO 10


| THREADS | CH3 | L3 | F | STANDARD | FEMALE | | | MALE | | |
|---------|-----|------|----------------|--------------|---------------|------------|-----------------|---------------|------------|-----------------|
| | | | | | COD. F | Weight (g) | Packaging (pcs) | COD. M | Weight (g) | Packaging (pcs) |
| IG 1 | 22 | 42.5 | BSP 3/8" | DIN 3852-2 | PBV1.1010.002 | 194 | 54 | PBV1.1010.003 | 61 | 200 |
| | 22 | 42.5 | NPT 3/8" | ANSI B1.20.1 | PBV1.1010.012 | 196 | 54 | PBV1.1010.013 | 62 | 200 |
| | 22 | 42.5 | BSP 3/8" | DIN 3852-2 | PBV4.1010.002 | 198 | 40 | | | |
| | 22 | 42.5 | NPT 3/8" | ANSI B1.20.1 | PBV4.1010.012 | 200 | 40 | | | |
| IG 2 | 27 | 46 | 3/4"-16 UNF 2B | SAE J 1926-1 | | | | PBV1.1019.033 | 82 | 150 |

PBV1 DN13 - BG 3 - ISO 12.5


| THREADS | F | STANDARD | FEMALE | | | MALE | | |
|---------|----------|--------------|---------------|------------|-----------------|---------------|------------|-----------------|
| | | | COD. F | Weight (g) | Packaging (pcs) | COD. M | Weight (g) | Packaging (pcs) |
| IG 1 | BSP 1/2" | DIN 3852-2 | PBV1.1313.002 | 346 | 45 | PBV1.1313.003 | 112 | 200 |
| | NPT 1/2" | ANSI B1.20.1 | PBV1.1313.012 | 349 | 45 | PBV1.1313.013 | 115 | 200 |
| | BSP 1/2" | DIN 3852-2 | PBV4.1313.002 | 373 | 30 | | | |
| | NPT 1/2" | ANSI B1.20.1 | PBV4.1313.012 | 376 | 30 | | | |

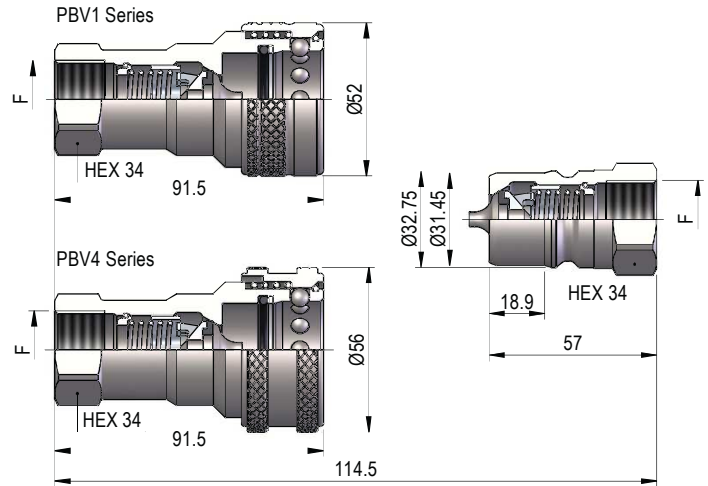


THREADS

IG 1

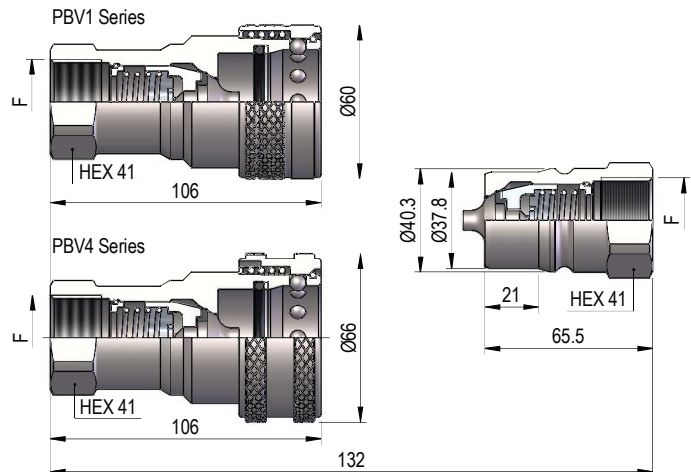
IG 2

PBV1 DN20 - BG 4 - ISO 20

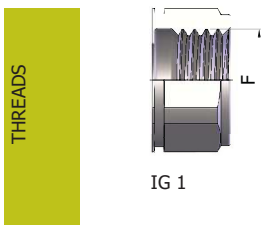


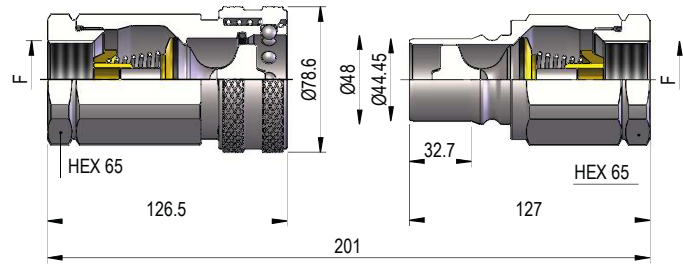
| THREADS | F | STANDARD | FEMALE | | | MALE | | |
|---------|----------|--------------|---------------|------------|-----------------|---------------|------------|-----------------|
| | | | COD. F | Weight (g) | Packaging (pcs) | COD. M | Weight (g) | Packaging (pcs) |
| IG 1 | BSP 3/4" | DIN 3852-2 | PBV1.2019.002 | 548 | 25 | PBV1.2019.003 | 202 | 45 |
| | NPT 3/4" | ANSI B1.20.1 | PBV1.2019.012 | 551 | 25 | PBV1.2019.013 | 207 | 45 |
| | BSP 3/4" | DIN 3852-2 | PBV4.2019.002 | 593 | 20 | | | |
| | NPT 3/4" | ANSI B1.20.1 | PBV4.2019.012 | 596 | 20 | | | |

PBV1 DN25 - BG 5 - ISO 25

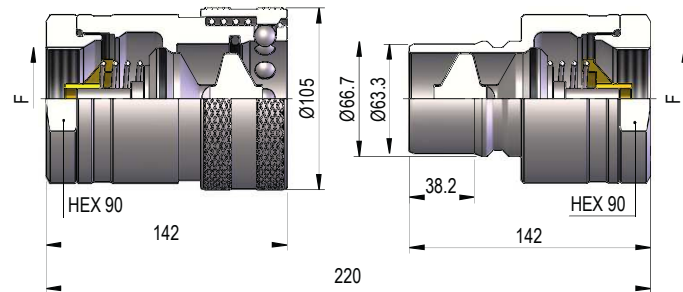


| THREADS | F | STANDARD | FEMALE | | | MALE | | |
|---------|--------|--------------|---------------|------------|-----------------|---------------|------------|-----------------|
| | | | COD. F | Weight (g) | Packaging (pcs) | COD. M | Weight (g) | Packaging (pcs) |
| IG 1 | BSP 1" | DIN 3852-2 | PBV1.2525.002 | 860 | 18 | PBV1.2525.003 | 355 | 30 |
| | NPT 1" | ANSI B1.20.1 | PBV1.2525.012 | 870 | 18 | PBV1.2525.013 | 364 | 30 |
| | BSP 1" | DIN 3852-2 | PBV4.2525.002 | 990 | 15 | | | |
| | NPT 1" | ANSI B1.20.1 | PBV4.2525.012 | 1000 | 15 | | | |



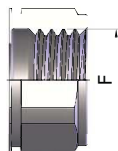
PBV1 DN39 - BG 7 - ISO 40


| THREADS | F | STANDARD | FEMALE | | | MALE | | |
|---------|----------------|--------------|---------------|------------|-----------------|---------------|------------|-----------------|
| | | | COD. F | Weight (g) | Packaging (pcs) | COD. M | Weight (g) | Packaging (pcs) |
| IG 1 | BSP 1"¼ | DIN 3852-2 | PBV1.3931.002 | 2132 | 9 | PBV1.3931.003 | 1340 | 12 |
| | NPT 1"¼ | ANSI B1.20.1 | PBV1.3931.012 | 2147 | 9 | PBV1.3931.013 | 1355 | 12 |
| | BSP 1"½ | DIN 3852-2 | PBV1.3939.002 | 2050 | 9 | PBV1.3939.003 | 1258 | 12 |
| | NPT 1"½ | ANSI B1.20.1 | PBV1.3939.012 | 2066 | 9 | PBV1.3939.013 | 1274 | 12 |
| IG 2 | 1"5/8-12 UN 2B | SAE J 1926-1 | PBV1.3941.032 | 2139 | 9 | PBV1.3941.033 | 1347 | 12 |

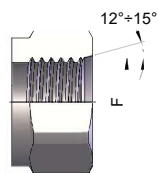
PBV1 DN50 - BG 8 - ISO 50


| THREADS | F | STANDARD | FEMALE | | | MALE | | |
|---------|--------|--------------|---------------|------------|-----------------|---------------|------------|-----------------|
| | | | COD. F | Weight (g) | Packaging (pcs) | COD. M | Weight (g) | Packaging (pcs) |
| IG 1 | BSP 2" | DIN 3852-2 | PBV1.5051.002 | 4900 | 4 | PBV1.5051.003 | 3100 | 5 |
| | NPT 2" | ANSI B1.20.1 | PBV1.5051.012 | 5000 | 4 | PBV1.5051.013 | 3200 | 5 |

THREADS



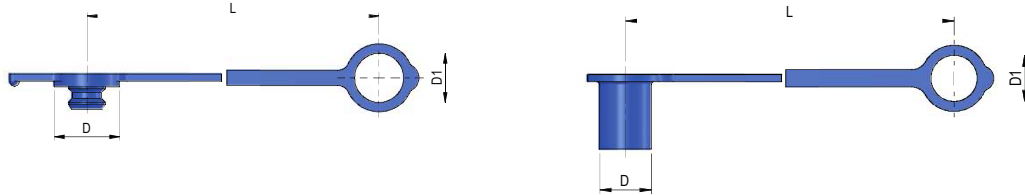
IG 1



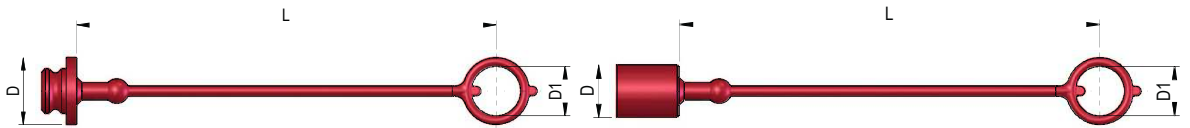
IG 2

PLASTIC CAPS

| NOMINAL SIZE | | FEMALE DUST PLUG | | | | | | MALE DUST CAP | | | | | | COLOR | MATERIAL |
|--------------|----|------------------|------------|------------|-----|------|------------|---------------|------------|-----|------|------------|---|-------|----------|
| DNP | BG | ISO | COD. F | Dimensions | | | Weight (g) | COD. M | Dimensions | | | Weight (g) | | | |
| | | | | D | L | D1 | | | D | L | D1 | | | | |
| 06 | 1 | 6.3 | SPBV.06032 | 28 | 123 | 20.5 | 8 | SPBV.06033 | 19.5 | 123 | 17 | 8 | ● | PVC | |
| 10 | 2 | 10 | SPBV.10032 | 33 | 150 | 25 | 10 | SPBV.10033 | 25 | 127 | 20 | 13 | ● | PVC | |
| 13 | 3 | 12.5 | SPBV.13032 | 44.5 | 174 | 31.5 | 16 | SPBV.13033 | 31 | 160 | 24.5 | 20 | ● | PVC | |
| 20 | 4 | 20 | SPBV.20032 | 52 | 185 | 37 | 23 | SPBV.20033 | 37 | 190 | 30.5 | 27 | ● | PVC | |
| 25 | 5 | 25 | SPBV.25032 | 61.5 | 225 | 43 | 30 | SPBV.25033 | 45 | 230 | 37 | 40 | ● | PVC | |

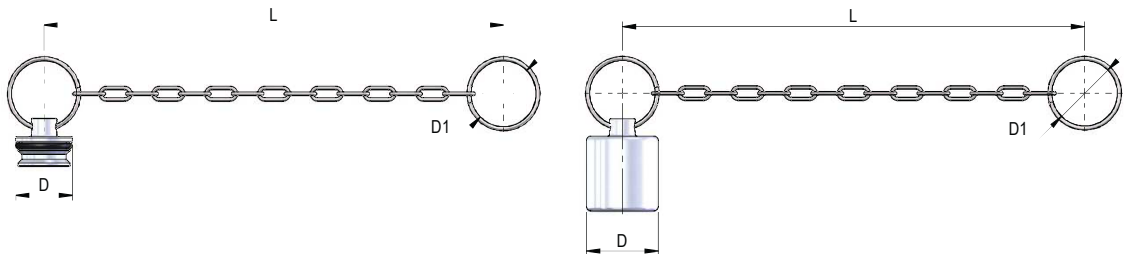


| NOMINAL SIZE | | FEMALE DUST PLUG | | | | | | MALE DUST CAP | | | | | | COLOR | MATERIAL |
|--------------|----|------------------|------------|------------|-----|----|------------|---------------|------------|-----|----|------------|---|-------|----------|
| DNP | BG | ISO | COD. F | Dimensions | | | Weight (g) | COD. M | Dimensions | | | Weight (g) | | | |
| | | | | D | L | D1 | | | D | L | D1 | | | | |
| 06 | 1 | 6.3 | SPBV.06002 | 26 | 206 | 21 | 14 | SPBV.06003 | 19 | 206 | 21 | 13 | ● | PVC | |
| 06 | 1 | 6.3 | SPBV.06042 | 26 | 206 | 21 | 14 | SPBV.06043 | 19 | 206 | 21 | 13 | ● | PVC | |
| 10 | 2 | 10 | SPBV.10002 | 33 | 206 | 23 | 18 | SPBV.10003 | 23 | 206 | 23 | 16 | ● | PVC | |
| 13 | 3 | 12.5 | SPBV.13002 | 38 | 240 | 28 | 24 | SPBV.13003 | 29 | 240 | 28 | 22 | ● | PVC | |
| 20 | 4 | 20 | SPBV.20002 | 50 | 270 | 41 | 33 | SPBV.20003 | 36 | 270 | 41 | 29 | ● | PVC | |
| 25 | 5 | 25 | SPBV.25002 | 60 | 275 | 43 | 42 | SPBV.25003 | 45 | 275 | 43 | 40 | ● | PVC | |



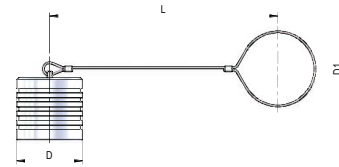
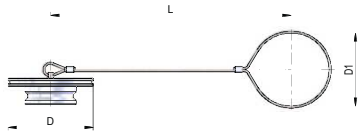
METAL CAPS

| NOMINAL SIZE | | FEMALE DUST PLUG | | | | | | MALE DUST CAP | | | | | | MATERIAL |
|--------------|----|------------------|------------|------------|-----|----|------------|---------------|------------|-----|----|------------|----------|----------|
| DNP | BG | ISO | COD. F | Dimensions | | | Weight (g) | COD. M | Dimensions | | | Weight (g) | | |
| | | | | D | L | D1 | | | D | L | D1 | | | |
| 06 | 1 | 6.3 | SPBV.06202 | 22 | 170 | 22 | 15 | SPBV.06203 | 22 | 170 | 22 | 32 | Aluminum | |
| 10 | 2 | 10 | SPBV.10202 | 22 | 170 | 22 | 18 | SPBV.10203 | 27 | 170 | 22 | 34 | Aluminum | |
| 13 | 3 | 12.5 | SPBV.13202 | 28.5 | 172 | 27 | 34 | SPBV.13203 | 35 | 172 | 27 | 66 | Aluminum | |
| 20 | 4 | 20 | SPBV.20202 | 35 | 225 | 30 | 49 | SPBV.20203 | 41.5 | 225 | 30 | 102 | Aluminum | |
| 25 | 5 | 25 | SPBV.25202 | 44.5 | 280 | 41 | 70 | SPBV.25203 | 48 | 280 | 41 | 126 | Aluminum | |

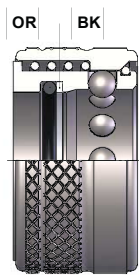




| NOMINAL SIZE | | | FEMALE DUST PLUG | | | | | MALE DUST CAP | | | | | MATERIAL |
|--------------|----|-----|------------------|------------|-----|------|------------|---------------|------------|-----|------|------------|----------|
| DNP | BG | ISO | COD. F | Dimensions | | | Weight (g) | COD. M | Dimensions | | | Weight (g) | |
| | | | | D | L | D1 | | | D | L | D1 | | |
| 39 | 7 | 40 | SPBV.39202 | 79 | 225 | 70.5 | 139 | SPBV.39203 | 64.5 | 225 | 70.5 | 293 | Aluminum |
| 50 | 8 | 50 | SPBV.50202 | 105 | 350 | 100 | 265 | SPBV.50203 | 80 | 350 | 100 | 365 | Aluminum |



SPARE PARTS



| NOMINAL SIZE | | | FEMALE GASKET | |
|--------------|----|------|---------------|-------------|
| DNP | BG | ISO | OR (NBR*) | BK (PTFE) |
| 04 | 0 | 5 | PBV.004.120 | PBV.004.130 |
| 06 | 1 | 6.3 | PBV.006.120 | PBV.006.130 |
| 10 | 2 | 10 | PDV.010.120 | PBV.010.130 |
| 13 | 3 | 12.5 | PBV.013.120 | PBV.013.130 |
| 20 | 4 | 20 | PBV.019.120 | PBV.019.130 |
| 25 | 5 | 25 | PBV.025.120 | PBV.025.130 |
| 39 | 7 | 40 | PBV.039.120 | - |
| 50 | 8 | 50 | PBV.050.120 | - |

* TO THE NBR GASKET CODE ADD 'E' FOR EPDM OR 'V' FOR VITON