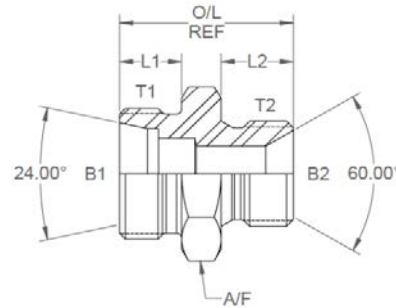


All dimensions are imperial unless stated.

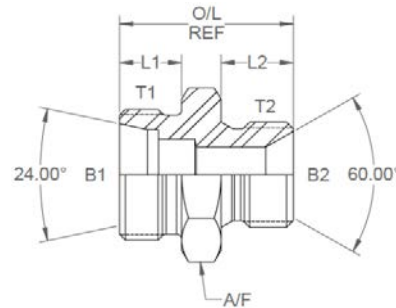


	T1	T2	B1	B2	L1	L2	O/L	A/F
01-08S04G	M16 x 1.5	1/4	0.197	0.185	0.472	0.433	1.215	19mm
01-10S04G	M18 x 1.5	1/4	0.276	0.185	0.472	0.450	1.222	19mm
01-10S06G	M18 x 1.5	3/8	0.276	0.312	0.472	0.520	1.302	22mm
01-12S04G	M20 x 1.5	1/4	0.315	0.185	0.472	0.450	1.222	22mm
01-12S06G	M20 x 1.5	3/8	0.312	0.000	0.472	0.520	1.242	22mm
01-12S08G	M20 x 1.5	1/2	0.315	0.437	0.472	0.600	1.467	27mm
01-14S08G	M22 x 1.5	1/2	0.394	0.437	0.472	0.600	1.322	27mm
01-16S06G	M24 x 1.5	3/8	0.472	0.312	0.551	0.520	1.461	27mm
01-16S08G	M24 x 1.5	1/2	0.472	0.437	0.551	0.600	1.541	27mm
01-16S12G	M24 x 1.5	3/4	0.472	0.659	0.551	0.630	1.571	32mm
01-20S08G	M30 x 2	1/2	0.630	0.437	0.630	0.600	1.680	32mm
01-20S12G	M30 x 2	3/4	0.659	0.659	0.630	0.750	1.830	32mm
01-25S12G	M36 x 2	3/4	0.787	0.659	0.709	0.750	1.909	41mm
01-25S16G	M36 x 2	1	0.787	0.875	0.709	0.800	2.059	41mm
01-30S16G	M42 x 2	1	0.984	0.875	0.787	0.800	2.057	46mm
01-38S16G	M52 x 2	1	1.260	0.875	0.866	0.800	2.336	55mm

Add -CWNR to part number for complete with nuts and rings, i.e. 01-08S04G-CWNR.

DESIGN DETAILS AND SPECIFICATIONS SUBJECT TO CHANGE WITHOUT PRIOR NOTICE - Whilst every effort has been made to ensure the accuracy of the information supplied herein, Burnett & Hillman cannot be held responsible for any errors or omissions (E&OE)

A/F dimensions are imperial unless stated.



	T1	T2	B1	B2	L1	L2	O/L	A/F
01-08S04G	M16 x 1.5	1/4	5.00	4.70	11.99	11.00	30.86	19mm
01-10S04G	M18 x 1.5	1/4	7.01	4.70	11.99	11.43	31.04	19mm
01-10S06G	M18 x 1.5	3/8	7.01	7.92	11.99	13.21	33.07	22mm
01-12S04G	M20 x 1.5	1/4	8.00	4.70	11.99	11.43	31.04	22mm
01-12S06G	M20 x 1.5	3/8	7.92	0.00	11.99	13.21	31.55	22mm
01-12S08G	M20 x 1.5	1/2	8.00	11.10	11.99	15.24	37.26	27mm
01-14S08G	M22 x 1.5	1/2	10.01	11.10	11.99	15.24	33.58	27mm
01-16S06G	M24 x 1.5	3/8	11.99	7.92	14.00	13.21	37.11	27mm
01-16S08G	M24 x 1.5	1/2	11.99	11.10	14.00	15.24	39.14	27mm
01-16S12G	M24 x 1.5	3/4	11.99	16.74	14.00	16.00	39.90	32mm
01-20S08G	M30 x 2	1/2	16.00	11.10	16.00	15.24	42.67	32mm
01-20S12G	M30 x 2	3/4	16.74	16.74	16.00	19.05	46.48	32mm
01-25S12G	M36 x 2	3/4	19.99	16.74	18.01	19.05	48.49	41mm
01-25S16G	M36 x 2	1	19.99	22.23	18.01	20.32	52.30	41mm
01-30S16G	M42 x 2	1	24.99	22.23	19.99	20.32	52.25	46mm
01-38S16G	M52 x 2	1	32.00	22.23	22.00	20.32	59.33	55mm

Add -CWNR to part number for complete with nuts and rings, i.e. 01-08S04G-CWNR.

DESIGN DETAILS AND SPECIFICATIONS SUBJECT TO CHANGE WITHOUT PRIOR NOTICE - Whilst every effort has been made to ensure the accuracy of the information supplied herein, Burnett & Hillman cannot be held responsible for any errors or omissions (E&OE)