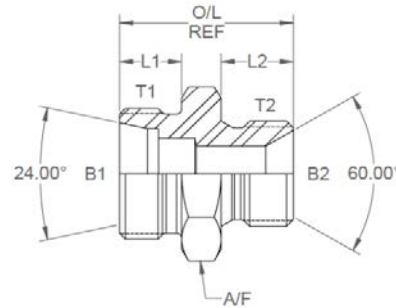


All dimensions are imperial unless stated.

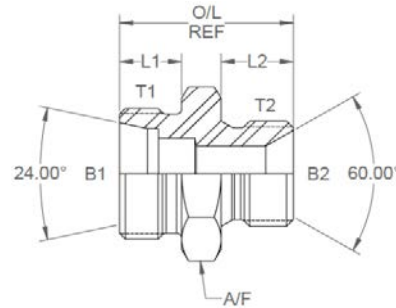


	T1	T2	B1	B2	L1	L2	O/L	A/F
01-06L04G	M12 x 1.5	1/4	0.157	0.185	0.394	0.450	1.094	19mm
01-06L06G	M12 x 1.5	3/8	0.157	0.312	0.394	0.520	1.134	22mm
01-08L04G	M14 x 1.5	1/4	0.185	0.185	0.394	0.433	1.080	19mm
01-08L06G	M14 x 1.5	3/8	0.236	0.312	0.394	0.472	1.110	22mm
01-10L04G	M16 x 1.5	1/4	0.315	0.185	0.433	0.433	1.116	19mm
01-10L06G	M16 x 1.5	3/8	0.315	0.315	0.433	0.472	1.125	27mm
01-10L08G	M16 x 1.5	1/2	0.315	0.437	0.433	0.600	1.333	27mm
01-12L04G	M18 x 1.5	1/4	0.394	0.185	0.433	0.433	1.113	19mm
01-12L06G	M18 x 1.5	3/8	0.394	0.312	0.433	0.472	1.155	22mm
01-12L08G	M18 x 1.5	1/2	0.394	0.437	0.433	0.600	1.283	27mm
01-12L12G	M18 x 1.5	3/4	0.394	0.659	0.433	0.630	1.393	32mm
01-15L06G	M22 x 1.5	3/8	0.472	0.312	0.472	0.472	1.194	24mm
01-15L08G	M22 x 1.5	1/2	0.437	0.437	0.472	0.551	1.274	27mm
01-15L10G	M22 x 1.5	5/8	0.472	0.562	0.472	0.630	1.402	30mm
01-15L12G	M22 x 1.5	3/4	0.472	0.659	0.472	0.630	1.516	32mm
01-18L08G	M26 x 1.5	1/2	0.551	0.437	0.472	0.551	1.323	30mm
01-18L10G	M26 x 1.5	5/8	0.551	0.562	0.472	0.630	1.402	30mm
01-18L12G	M26 x 1.5	3/4	0.591	0.659	0.472	0.630	1.417	32mm
01-22L08G	M30 x 2	1/2	0.748	0.437	0.551	0.600	1.531	32mm

Add -CWNR to part number for complete with nuts and rings, i.e. 01-06L04G-CWNR.

DESIGN DETAILS AND SPECIFICATIONS SUBJECT TO CHANGE WITHOUT PRIOR NOTICE - Whilst every effort has been made to ensure the accuracy of the information supplied herein, Burnett & Hillman cannot be held responsible for any errors or omissions (E&OE)

All dimensions are imperial unless stated.

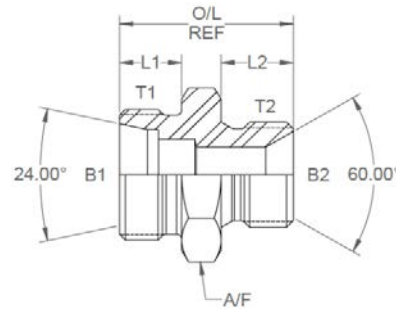


	T1	T2	B1	B2	L1	L2	O/L	A/F
01-22L12G	M30 x 2	3/4	0.748	0.659	0.551	0.630	1.501	32mm
01-22L16G	M30 x 2	1	0.748	0.875	0.551	0.748	1.639	41mm
01-28L12G	M36 x 2	3/4	0.945	0.659	0.551	0.750	1.651	41mm
01-28L16G	M36 x 2	1	0.875	0.875	0.551	0.748	1.659	41mm

Add -CWNR to part number for complete with nuts and rings, i.e. 01-06L04G-CWNR.

DESIGN DETAILS AND SPECIFICATIONS SUBJECT TO CHANGE WITHOUT PRIOR NOTICE - Whilst every effort has been made to ensure the accuracy of the information supplied herein, Burnett & Hillman cannot be held responsible for any errors or omissions (E&OE)

A/F dimensions are imperial unless stated.

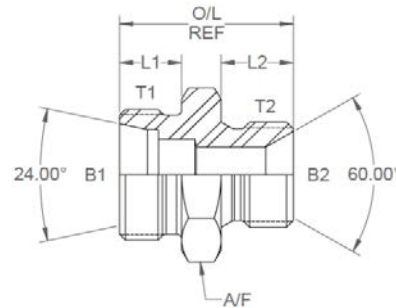


	T1	T2	B1	B2	L1	L2	O/L	A/F
01-06L04G	M12 x 1.5	1/4	3.99	4.70	10.01	11.43	27.79	19mm
01-06L06G	M12 x 1.5	3/8	3.99	7.92	10.01	13.21	28.80	22mm
01-08L04G	M14 x 1.5	1/4	4.70	4.70	10.01	11.00	27.43	19mm
01-08L06G	M14 x 1.5	3/8	5.99	7.92	10.01	11.99	28.19	22mm
01-10L04G	M16 x 1.5	1/4	8.00	4.70	11.00	11.00	28.35	19mm
01-10L06G	M16 x 1.5	3/8	8.00	8.00	11.00	11.99	28.58	27mm
01-10L08G	M16 x 1.5	1/2	8.00	11.10	11.00	15.24	33.86	27mm
01-12L04G	M18 x 1.5	1/4	10.01	4.70	11.00	11.00	28.27	19mm
01-12L06G	M18 x 1.5	3/8	10.01	7.92	11.00	11.99	29.34	22mm
01-12L08G	M18 x 1.5	1/2	10.01	11.10	11.00	15.24	32.59	27mm
01-12L12G	M18 x 1.5	3/4	10.01	16.74	11.00	16.00	35.38	32mm
01-15L06G	M22 x 1.5	3/8	11.99	7.92	11.99	11.99	30.33	24mm
01-15L08G	M22 x 1.5	1/2	11.10	11.10	11.99	14.00	32.36	27mm
01-15L10G	M22 x 1.5	5/8	11.99	14.27	11.99	16.00	35.61	30mm
01-15L12G	M22 x 1.5	3/4	11.99	16.74	11.99	16.00	38.51	32mm
01-18L08G	M26 x 1.5	1/2	14.00	11.10	11.99	14.00	33.60	30mm
01-18L10G	M26 x 1.5	5/8	14.00	14.27	11.99	16.00	35.61	30mm
01-18L12G	M26 x 1.5	3/4	15.01	16.74	11.99	16.00	35.99	32mm
01-22L08G	M30 x 2	1/2	19.00	11.10	14.00	15.24	38.89	32mm

Add -CWNR to part number for complete with nuts and rings, i.e. 01-06L04G-CWNR.

DESIGN DETAILS AND SPECIFICATIONS SUBJECT TO CHANGE WITHOUT PRIOR NOTICE - Whilst every effort has been made to ensure the accuracy of the information supplied herein, Burnett & Hillman cannot be held responsible for any errors or omissions (E&OE)

A/F dimensions are imperial unless stated.



	T1	T2	B1	B2	L1	L2	O/L	A/F
01-22L12G	M30 x 2	3/4	19.00	16.74	14.00	16.00	38.13	32mm
01-22L16G	M30 x 2	1	19.00	22.23	14.00	19.00	41.63	41mm
01-28L12G	M36 x 2	3/4	24.00	16.74	14.00	19.05	41.94	41mm
01-28L16G	M36 x 2	1	22.23	22.23	14.00	19.00	42.14	41mm

Add -CWNR to part number for complete with nuts and rings, i.e. 01-06L04G-CWNR.

DESIGN DETAILS AND SPECIFICATIONS SUBJECT TO CHANGE WITHOUT PRIOR NOTICE - Whilst every effort has been made to ensure the accuracy of the information supplied herein, Burnett & Hillman cannot be held responsible for any errors or omissions (E&OE)