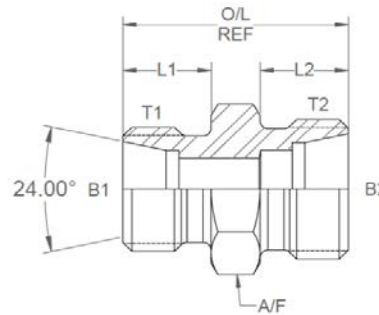


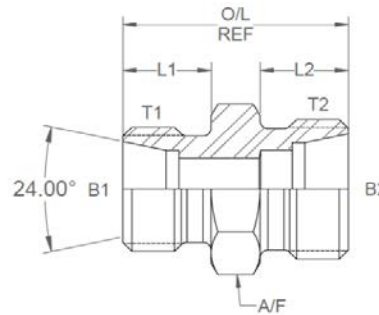
All dimensions are imperial unless stated.



	T1	T2	B1	B2	L1	L2	O/L	A/F
01-06L08L	M12 x 1.5	M14 x 1.5	0.157	0.236	0.394	0.394	0.988	17mm
01-06L10L	M12 x 1.5	M16 x 1.5	0.157	0.315	0.394	0.433	1.027	17mm
01-08L10L	M14 x 1.5	M16 x 1.5	0.236	0.315	0.394	0.433	1.027	17mm
01-10L12L	M16 x 1.5	M18 x 1.5	0.315	0.394	0.433	0.433	1.106	19mm
01-10L15L	M16 x 1.5	M22 x 1.5	0.315	0.472	0.433	0.472	1.145	24mm
01-12L15L	M18 x 1.5	M22 x 1.5	0.394	0.472	0.433	0.472	1.145	24mm
01-12L18L	M18 x 1.5	M26 x 1.5	0.394	0.591	0.433	0.472	1.200	30mm
01-15L18L	M22 x 1.5	M26 x 1.5	0.472	0.591	0.472	0.472	1.224	27mm
01-15L22L	M22 x 1.5	M30 x 2	0.472	0.748	0.472	0.551	1.350	32mm

Add -CWNR to part number for complete with nuts and rings, i.e. 01-06L08L-CWNR.

DESIGN DETAILS AND SPECIFICATIONS SUBJECT TO CHANGE WITHOUT PRIOR NOTICE - Whilst every effort has been made to ensure the accuracy of the information supplied herein, Burnett & Hillman cannot be held responsible for any errors or omissions (E&OE)



	T1	T2	B1	B2	L1	L2	O/L	A/F
01-06L08L	M12 x 1.5	M14 x 1.5	3.99	5.99	10.01	10.01	25.10	17mm
01-06L10L	M12 x 1.5	M16 x 1.5	3.99	8.00	10.01	11.00	26.09	17mm
01-08L10L	M14 x 1.5	M16 x 1.5	5.99	8.00	10.01	11.00	26.09	17mm
01-10L12L	M16 x 1.5	M18 x 1.5	8.00	10.01	11.00	11.00	28.09	19mm
01-10L15L	M16 x 1.5	M22 x 1.5	8.00	11.99	11.00	11.99	29.08	24mm
01-12L15L	M18 x 1.5	M22 x 1.5	10.01	11.99	11.00	11.99	29.08	24mm
01-12L18L	M18 x 1.5	M26 x 1.5	10.01	15.01	11.00	11.99	30.48	30mm
01-15L18L	M22 x 1.5	M26 x 1.5	11.99	15.01	11.99	11.99	31.09	27mm
01-15L22L	M22 x 1.5	M30 x 2	11.99	19.00	11.99	14.00	34.29	32mm

Add -CWNR to part number for complete with nuts and rings, i.e. 01-06L08L-CWNR.

DESIGN DETAILS AND SPECIFICATIONS SUBJECT TO CHANGE WITHOUT PRIOR NOTICE - Whilst every effort has been made to ensure the accuracy of the information supplied herein, Burnett & Hillman cannot be held responsible for any errors or omissions (E&OE)