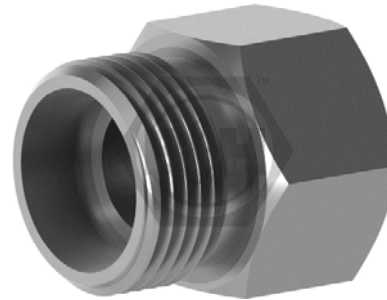
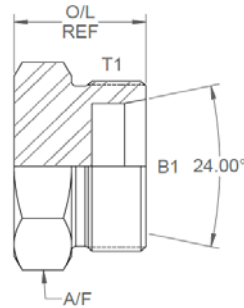


All dimensions in mm.



	T1	B1	O/L	A/F
01-BE-06L	M12 X 1.5	6L	21.50	12mm
01-BE-08L	M14 X 1.5	8L	22.50	14mm
01-BE-10L	M16 X 1.5	10L	23.50	17mm
01-BE-12L	M18 X 1.5	12L	24.50	19mm
01-BE-15L	M22 X 1.5	15L	26.00	24mm
01-BE-18L	M26 X 1.5	18L	27.50	27mm
01-BE-22L	M30 X 2.0	22L	29.50	32mm
01-BE-28L	M36 X 2.0	28L	31.00	41mm
01-BE-35L	M45 X 2.0	35L	36.00	46mm
01-BE-42L	M52 X 2.0	42L	38.50	55mm

Add -CWNR to part number for complete with nuts and rings, i.e. 01-BE-06L-CWNR.

DESIGN DETAILS AND SPECIFICATIONS SUBJECT TO CHANGE WITHOUT PRIOR NOTICE - Whilst every effort has been made to ensure the accuracy of the information supplied herein, Burnett & Hillman cannot be held responsible for any errors or omissions (E&OE)