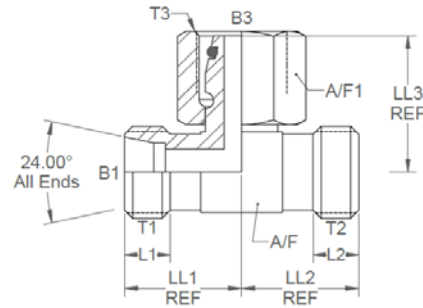


A/F dimensions are imperial unless stated.

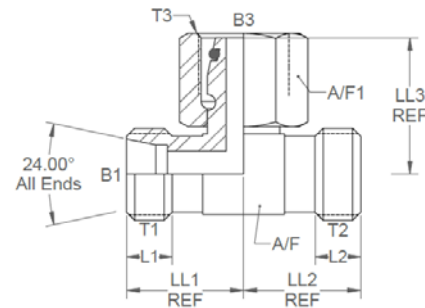


	T1	T2	T3	B1	B3	L1	L2	LL1	LL2	LL3	A/F	A/F1
05-06S-DKO	M14 x 1.5	M14 x 1.5	M14 x 1.5	0.157	0.098	0.354	0.354	0.905	0.905	1.062	12mm	17mm
05-08S-DKO	M16 x 1.5	M16 x 1.5	M16 x 1.5	0.197	0.157	0.354	0.354	0.944	0.944	1.082	14mm	19mm
05-10S-DKO	M18 x 1.5	M18 x 1.5	M18 x 1.5	0.275	0.236	0.354	0.354	0.984	0.984	1.181	17mm	22mm
05-12S-DKO	M20 x 1.5	M20 x 1.5	M20 x 1.5	0.315	0.315	0.354	0.354	1.141	1.141	1.220	17mm	24mm
05-14S-DKO	M22 x 1.5	M22 x 1.5	M22 x 1.5	0.394	0.354	0.394	0.394	1.220	1.220	1.300	19mm	27mm
05-16S-DKO	M24 x 1.5	M24 x 1.5	M24 x 1.5	0.472	0.433	0.433	0.433	1.300	1.300	1.437	24mm	30mm
05-20S-DKO	M30 x 2	M30 x 2	M30 x 2	0.630	0.551	0.472	0.472	1.456	1.456	1.751	27mm	36mm
05-25S-DKO	M36 x 2	M36 x 2	M36 x 2	0.787	0.709	0.551	0.551	1.653	1.653	1.968	36mm	46mm
05-30S-DKO	M42 x 2	M42 x 2	M42 x 2	0.984	0.905	0.630	0.630	1.929	1.929	2.165	41mm	50mm
05-38S-DKO	M52 x 2	M52 x 2	M52 x 2	1.260	1.181	0.709	0.709	2.244	2.244	2.480	50mm	60mm

Add -CWNR to part number for complete with nuts and rings, i.e. 05-06S-DKO-CWNR.

DESIGN DETAILS AND SPECIFICATIONS SUBJECT TO CHANGE WITHOUT PRIOR NOTICE - Whilst every effort has been made to ensure the accuracy of the information supplied herein, Burnett & Hillman cannot be held responsible for any errors or omissions (E&OE)

A/F dimensions are imperial unless stated.



	T1	T2	T3	B1	B3	L1	L2	LL1	LL2	LL3	A/F	A/F1
05-06S-DKO	M14 x 1.5	M14 x 1.5	M14 x 1.5	3.99	2.49	8.99	8.99	22.99	22.99	26.97	12mm	17mm
05-08S-DKO	M16 x 1.5	M16 x 1.5	M16 x 1.5	5.00	3.99	8.99	8.99	23.98	23.98	27.48	14mm	19mm
05-10S-DKO	M18 x 1.5	M18 x 1.5	M18 x 1.5	6.99	5.99	8.99	8.99	24.99	24.99	30.00	17mm	22mm
05-12S-DKO	M20 x 1.5	M20 x 1.5	M20 x 1.5	8.00	8.00	8.99	8.99	28.98	28.98	30.99	17mm	24mm
05-14S-DKO	M22 x 1.5	M22 x 1.5	M22 x 1.5	10.01	8.99	10.01	10.01	30.99	30.99	33.02	19mm	27mm
05-16S-DKO	M24 x 1.5	M24 x 1.5	M24 x 1.5	11.99	11.00	11.00	11.00	33.02	33.02	36.50	24mm	30mm
05-20S-DKO	M30 x 2	M30 x 2	M30 x 2	16.00	14.00	11.99	11.99	36.98	36.98	44.48	27mm	36mm
05-25S-DKO	M36 x 2	M36 x 2	M36 x 2	19.99	18.01	14.00	14.00	41.99	41.99	49.99	36mm	46mm
05-30S-DKO	M42 x 2	M42 x 2	M42 x 2	24.99	22.99	16.00	16.00	49.00	49.00	54.99	41mm	50mm
05-38S-DKO	M52 x 2	M52 x 2	M52 x 2	32.00	30.00	18.01	18.01	57.00	57.00	62.99	50mm	60mm

Add -CWNR to part number for complete with nuts and rings, i.e. 05-06S-DKO-CWNR.

DESIGN DETAILS AND SPECIFICATIONS SUBJECT TO CHANGE WITHOUT PRIOR NOTICE - Whilst every effort has been made to ensure the accuracy of the information supplied herein, Burnett & Hillman cannot be held responsible for any errors or omissions (E&OE)