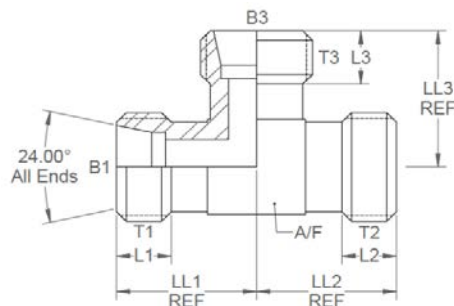


A/F dimensions are imperial unless stated.

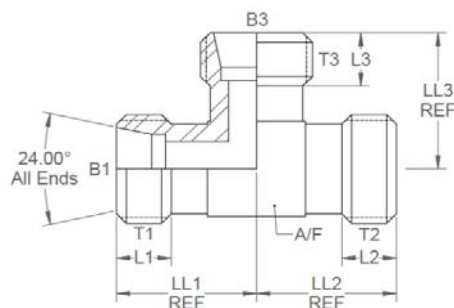


	T1	T2	T3	B1	B3	L1	L2	L3	LL1	LL2	LL3	A/F
01-MT-06L	M12 x 1.5	M12 x 1.5	M12 x 1.5	0.157	0.157	0.275	0.275	0.275	0.748	0.748	0.748	12mm
01-MT-08L	M14 x 1.5	M14 x 1.5	M14 x 1.5	0.236	0.236	0.275	0.275	0.275	0.826	0.826	0.826	12mm
01-MT-10L	M16 x 1.5	M16 x 1.5	M16 x 1.5	0.315	0.315	0.315	0.315	0.315	0.866	0.866	0.866	14mm
01-MT-12L	M18 x 1.5	M18 x 1.5	M18 x 1.5	0.394	0.394	0.315	0.315	0.315	0.944	0.944	0.944	17mm
01-MT-15L	M22 x 1.5	M22 x 1.5	M22 x 1.5	0.472	0.472	0.354	0.354	0.354	1.102	1.102	1.102	19mm
01-MT-18L	M26 x 1.5	M26 x 1.5	M26 x 1.5	0.590	0.590	0.354	0.354	0.354	1.220	1.220	1.220	24mm
01-MT-22L	M30 x 2	M30 x 2	M30 x 2	0.748	0.748	0.394	0.394	0.394	1.378	1.378	1.378	27mm
01-MT-28L	M36 x 2	M36 x 2	M36 x 2	0.944	0.944	0.394	0.394	0.394	1.496	1.496	1.496	36mm
01-MT-35L	M45 x 2	M45 x 2	M45 x 2	1.181	1.181	0.472	0.472	0.472	1.771	1.771	1.771	41mm
01-MT-42L	M52 x 2	M52 x 2	M52 x 2	1.417	1.417	0.472	0.472	0.472	2.007	2.007	2.007	50mm

Add -CWNR to part number for complete with nuts and rings, i.e. 01-MT-06L-CWNR.

DESIGN DETAILS AND SPECIFICATIONS SUBJECT TO CHANGE WITHOUT PRIOR NOTICE - Whilst every effort has been made to ensure the accuracy of the information supplied herein, Burnett & Hillman cannot be held responsible for any errors or omissions (E&OE)

A/F dimensions are imperial unless stated.



	T1	T2	T3	B1	B3	L1	L2	L3	LL1	LL2	LL3	A/F
01-MT-06L	M12 x 1.5	M12 x 1.5	M12 x 1.5	0.16	0.16	0.28	0.28	0.28	0.75	0.75	0.75	12mm
01-MT-08L	M14 x 1.5	M14 x 1.5	M14 x 1.5	0.24	0.24	0.28	0.28	0.28	0.83	0.83	0.83	12mm
01-MT-10L	M16 x 1.5	M16 x 1.5	M16 x 1.5	0.32	0.32	0.32	0.32	0.32	0.87	0.87	0.87	14mm
01-MT-12L	M18 x 1.5	M18 x 1.5	M18 x 1.5	0.39	0.39	0.32	0.32	0.32	0.94	0.94	0.94	17mm
01-MT-15L	M22 x 1.5	M22 x 1.5	M22 x 1.5	0.47	0.47	0.35	0.35	0.35	1.10	1.10	1.10	19mm
01-MT-18L	M26 x 1.5	M26 x 1.5	M26 x 1.5	0.59	0.59	0.35	0.35	0.35	1.22	1.22	1.22	24mm
01-MT-22L	M30 x 2	M30 x 2	M30 x 2	0.75	0.75	0.39	0.39	0.39	1.38	1.38	1.38	27mm
01-MT-28L	M36 x 2	M36 x 2	M36 x 2	0.94	0.94	0.39	0.39	0.39	1.50	1.50	1.50	36mm
01-MT-35L	M45 x 2	M45 x 2	M45 x 2	1.18	1.18	0.47	0.47	0.47	1.77	1.77	1.77	41mm
01-MT-42L	M52 x 2	M52 x 2	M52 x 2	1.42	1.42	0.47	0.47	0.47	2.01	2.01	2.01	50mm

Add -CWNR to part number for complete with nuts and rings, i.e. 01-MT-06L-CWNR.

DESIGN DETAILS AND SPECIFICATIONS SUBJECT TO CHANGE WITHOUT PRIOR NOTICE - Whilst every effort has been made to ensure the accuracy of the information supplied herein, Burnett & Hillman cannot be held responsible for any errors or omissions (E&OE)