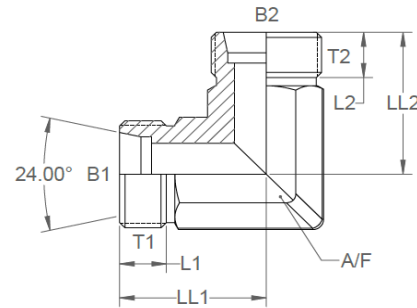


All dimensions are imperial unless stated.

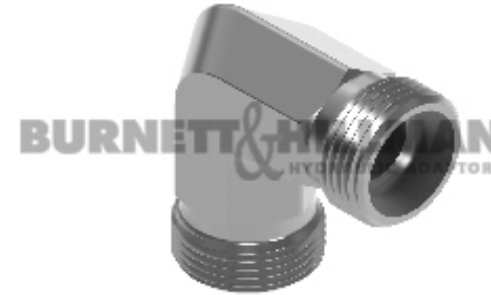
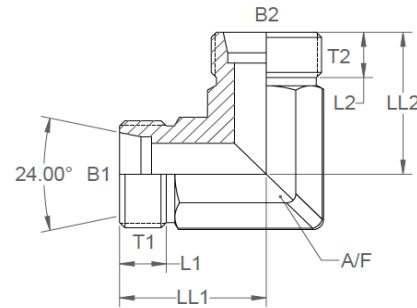


	T1	T2	B1	B2	L1	L2	LL1	LL2	A/F
01-90C-06S	M14 x 1.5	M14 x 1.5	0.157	0.157	0.354	0.354	0.905	0.905	12mm
01-90C-08S	M16 x 1.5	M16 x 1.5	0.197	0.197	0.354	0.354	0.944	0.944	14mm
01-90C-10S	M18 x 1.5	M18 x 1.5	0.276	0.276	0.354	0.354	0.984	0.984	17mm
01-90C-12S	M20 x 1.5	M20 x 1.5	0.315	0.315	0.354	0.354	1.141	1.141	17mm
01-90C-14S	M22 x 1.5	M22 x 1.5	0.394	0.394	0.354	0.354	1.141	1.141	19mm
01-90C-16S	M24 x 1.5	M24 x 1.5	0.472	0.472	0.433	0.433	1.300	1.300	24mm
01-90C-20S	M30 x 2	M30 x 2	0.630	0.630	0.472	0.472	1.456	1.456	27mm
01-90C-25S	M36 x 2	M36 x 2	0.787	0.787	0.551	0.551	1.653	1.653	36mm
01-90C-30S	M42 x 2	M42 x 2	0.984	0.984	0.630	0.630	1.930	1.930	41mm
01-90C-38S	M52 x 2	M52 x 2	1.260	1.260	0.709	0.709	2.244	2.244	50mm

**Add -CWNR to part number for complete with nuts and rings, i.e. 01-90C-06S-CWNR.**

DESIGN DETAILS AND SPECIFICATIONS SUBJECT TO CHANGE WITHOUT PRIOR NOTICE - Whilst every effort has been made to ensure the accuracy of the information supplied herein, Burnett & Hillman cannot be held responsible for any errors or omissions (E&OE)

A/F dimensions are imperial unless stated.



	T1	T2	B1	B2	L1	L2	LL1	LL2	A/F
01-90C-06S	M14 x 1.5	M14 x 1.5	3.99	3.99	8.99	8.99	22.99	22.99	12mm
01-90C-08S	M16 x 1.5	M16 x 1.5	5.00	5.00	8.99	8.99	23.98	23.98	14mm
01-90C-10S	M18 x 1.5	M18 x 1.5	7.01	7.01	8.99	8.99	24.99	24.99	17mm
01-90C-12S	M20 x 1.5	M20 x 1.5	8.00	8.00	8.99	8.99	28.98	28.98	17mm
01-90C-14S	M22 x 1.5	M22 x 1.5	10.01	10.01	8.99	8.99	28.98	28.98	19mm
01-90C-16S	M24 x 1.5	M24 x 1.5	11.99	11.99	11.00	11.00	33.02	33.02	24mm
01-90C-20S	M30 x 2	M30 x 2	16.00	16.00	11.99	11.99	36.98	36.98	27mm
01-90C-25S	M36 x 2	M36 x 2	19.99	19.99	14.00	14.00	41.99	41.99	36mm
01-90C-30S	M42 x 2	M42 x 2	24.99	24.99	16.00	16.00	49.02	49.02	41mm
01-90C-38S	M52 x 2	M52 x 2	32.00	32.00	18.01	18.01	57.00	57.00	50mm

**Add -CWNR to part number for complete with nuts and rings, i.e. 01-90C-06S-CWNR.**

DESIGN DETAILS AND SPECIFICATIONS SUBJECT TO CHANGE WITHOUT PRIOR NOTICE - Whilst every effort has been made to ensure the accuracy of the information supplied herein, Burnett & Hillman cannot be held responsible for any errors or omissions (E&OE)