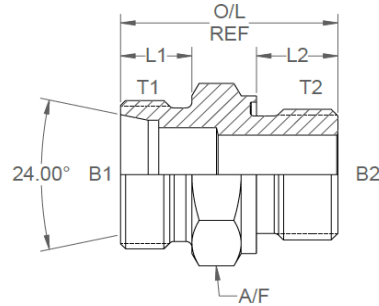


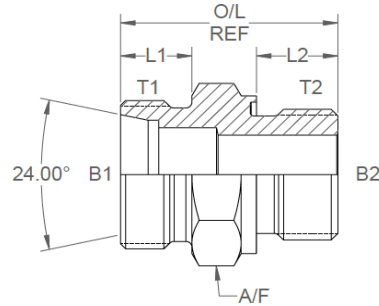
All dimensions are imperial unless stated.



	T1	T2	B1	B2	L1	L2	O/L	A/F
01-06SM12CS	M14 x 1.5	M12 x 1.5	0.157	0.157	0.472	0.472	1.25	17mm
01-08SM14CS	M16 x 1.5	M14 x 1.5	0.197	0.197	0.472	0.472	1.35	19mm
01-10SM16CS	M18 x 1.5	M16 x 1.5	0.276	0.276	0.472	0.472	1.35	22mm
01-12SM18CS	M20 x 1.5	M18 x 1.5	0.315	0.315	0.472	0.472	1.44	24mm
01-12SM22CS	M20 x 1.5	M22 x 1.5	0.315	0.315	0.472	0.551	1.53	27mm
01-14SM20CS	M22 x 1.5	M20 x 1.5	0.394	0.394	0.551	0.551	1.614	27mm
01-16SM22CS	M24 x 1.5	M22 x 1.5	0.472	0.472	0.551	0.551	1.614	27mm
01-20SM27CS	M30 x 2	M27 x 2	0.63	0.63	0.63	0.63	1.85	32mm
01-25SM33CS	M36 x 2	M33 x 2	0.787	0.787	0.709	0.709	2.08	41mm
01-30SM42CS	M42 x 2	M42 x 2	0.984	0.984	0.787	0.787	2.25	50mm
01-38SM48CS	M52 x 2	M48 x 2	1.26	1.26	0.866	0.866	2.53	55mm

Add -CWNR to part number for complete with nuts and rings, i.e. 01-06SM12CS-CWNR.

DESIGN DETAILS AND SPECIFICATIONS SUBJECT TO CHANGE WITHOUT PRIOR NOTICE - Whilst every effort has been made to ensure the accuracy of the information supplied herein, Burnett & Hillman cannot be held responsible for any errors or omissions (E&OE)



	T1	T2	B1	B2	L1	L2	O/L	A/F
01-06SM12CS	M14 x 1.5	M12 x 1.5	3.99	3.99	11.99	11.99	31.75	17mm
01-08SM14CS	M16 x 1.5	M14 x 1.5	5.00	5.00	11.99	11.99	34.29	19mm
01-10SM16CS	M18 x 1.5	M16 x 1.5	7.01	7.01	11.99	11.99	34.29	22mm
01-12SM18CS	M20 x 1.5	M18 x 1.5	8.00	8.00	11.99	11.99	36.58	24mm
01-12SM22CS	M20 x 1.5	M22 x 1.5	8.00	8.00	11.99	14.00	38.86	27mm
01-14SM20CS	M22 x 1.5	M20 x 1.5	10.01	10.01	14.00	14.00	41.00	27mm
01-16SM22CS	M24 x 1.5	M22 x 1.5	11.99	11.99	14.00	14.00	41.00	27mm
01-20SM27CS	M30 x 2	M27 x 2	16.00	16.00	16.00	16.00	46.99	32mm
01-25SM33CS	M36 x 2	M33 x 2	19.99	19.99	18.01	18.01	52.83	41mm
01-30SM42CS	M42 x 2	M42 x 2	24.99	24.99	19.99	19.99	57.15	50mm
01-38SM48CS	M52 x 2	M48 x 2	32.00	32.00	22.00	22.00	64.26	55mm

Add -CWNR to part number for complete with nuts and rings, i.e. 01-06SM12CS-CWNR.

DESIGN DETAILS AND SPECIFICATIONS SUBJECT TO CHANGE WITHOUT PRIOR NOTICE - Whilst every effort has been made to ensure the accuracy of the information supplied herein, Burnett & Hillman cannot be held responsible for any errors or omissions (E&OE)