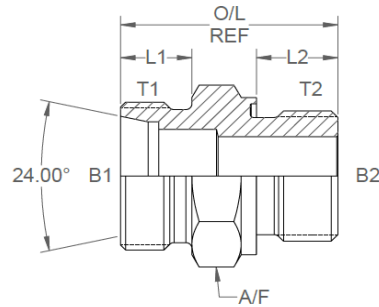


All dimensions are imperial unless stated.

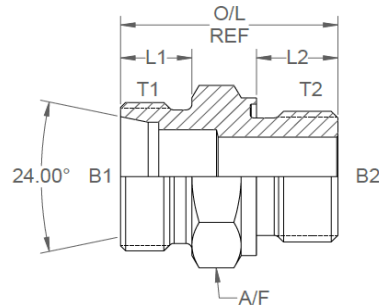


	T1	T2	B1	B2	L1	L2	O/L	A/F
01-06S04GCS	M14 x 1.5	1/4	0.157	0.157	0.472	0.472	1.26	19mm
01-06S08GCS	M14 x 1.5	1/2	0.157	0.157	0.472	0.551	1.55	27mm
01-08S04GCS	M16 x 1.5	1/4	0.196	0.196	0.472	0.472	1.36	19mm
01-08S06GCS	M16 x 1.5	3/8	0.196	0.196	0.472	0.472	1.36	22mm
01-10S04GCS	M18 x 1.5	1/4	0.276	0.196	0.472	0.472	1.36	19mm
01-10S06GCS	M18 x 1.5	3/8	0.276	0.276	0.472	0.472	1.36	22mm
01-10S08GCS	M18 x 1.5	1/2	0.276	0.276	0.472	0.551	1.55	27mm
01-12S04GCS	M20 x 1.5	1/4	0.315	0.196	0.472	0.472	1.417	22mm
01-12S06GCS	M20 x 1.5	3/8	0.315	0.315	0.472	0.472	1.417	22mm
01-12S08GCS	M20 x 1.5	1/2	0.315	0.315	0.472	0.551	1.55	27mm
01-14S08GCS	M22 x 1.5	1/2	0.394	0.394	0.551	0.551	1.614	27mm
01-16S06GCS	M24 x 1.5	3/8	0.472	0.315	0.551	0.472	1.55	24mm
01-16S08GCS	M24 x 1.5	1/2	0.472	0.472	0.551	0.551	1.614	27mm
01-16S12GCS	M24 x 1.5	3/4	0.472	0.472	0.551	0.63	1.78	32mm
01-20S08GCS	M30 x 2	1/2	0.63	0.472	0.63	0.551	1.78	32mm
01-20S12GCS	M30 x 2	3/4	0.63	0.63	0.63	0.63	1.85	32mm
01-25S08GCS	M36 x 2	1/2	0.787	0.551	0.709	0.551	1.93	41mm
01-25S12GCS	M36 x 2	3/4	0.787	0.63	0.709	0.63	2	41mm

Add -CWNR to part number for complete with nuts and rings, i.e. 01-06S04GCS-CWNR.

DESIGN DETAILS AND SPECIFICATIONS SUBJECT TO CHANGE WITHOUT PRIOR NOTICE - Whilst every effort has been made to ensure the accuracy of the information supplied herein, Burnett & Hillman cannot be held responsible for any errors or omissions (E&OE)

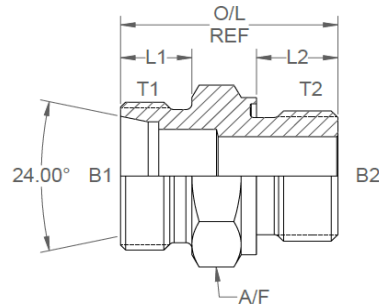
All dimensions are imperial unless stated.



	T1	T2	B1	B2	L1	L2	O/L	A/F
01-25S16GCS	M36 x 2	1	0.787	0.787	0.709	0.709	2.08	41mm
01-30S16GCS	M42 x 2	1	0.984	0.787	0.787	0.709	2.17	46mm
01-30S20GCS	M42 x 2	1-1/4	0.984	0.984	0.787	0.787	2.25	50mm
01-38S20GCS	M52 x 2	1-1/4	1.26	0.984	0.866	0.787	2.44	55mm
01-38S24GCS	M52 x 2	1-1/2	1.26	1.26	0.866	0.866	2.53	55mm

Add -CWNR to part number for complete with nuts and rings, i.e. 01-06S04GCS-CWNR.

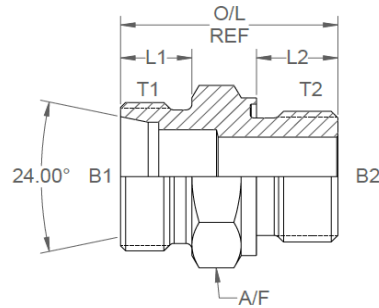
DESIGN DETAILS AND SPECIFICATIONS SUBJECT TO CHANGE WITHOUT PRIOR NOTICE - Whilst every effort has been made to ensure the accuracy of the information supplied herein, Burnett & Hillman cannot be held responsible for any errors or omissions (E&OE)



	T1	T2	B1	B2	L1	L2	O/L	A/F
01-06S04GCS	M14 x 1.5	1/4	4.00	3.99	11.99	11.99	32.00	19mm
01-06S08GCS	M14 x 1.5	1/2	3.99	3.99	11.99	14.00	39.37	27mm
01-08S04GCS	M16 x 1.5	1/4	4.98	4.98	11.99	11.99	34.54	19mm
01-08S06GCS	M16 x 1.5	3/8	4.98	4.98	11.99	11.99	34.54	22mm
01-10S04GCS	M18 x 1.5	1/4	7.01	4.98	11.99	11.99	34.54	19mm
01-10S06GCS	M18 x 1.5	3/8	7.01	7.01	11.99	11.99	34.54	22mm
01-10S08GCS	M18 x 1.5	1/2	7.01	7.01	11.99	14.00	39.37	27mm
01-12S04GCS	M20 x 1.5	1/4	8.00	4.98	11.99	11.99	35.99	22mm
01-12S06GCS	M20 x 1.5	3/8	8.00	8.00	11.99	11.99	35.99	22mm
01-12S08GCS	M20 x 1.5	1/2	8.00	8.00	11.99	14.00	39.37	27mm
01-14S08GCS	M22 x 1.5	1/2	10.01	10.01	14.00	14.00	41.00	27mm
01-16S06GCS	M24 x 1.5	3/8	11.99	8.00	14.00	11.99	39.37	24mm
01-16S08GCS	M24 x 1.5	1/2	11.99	11.99	14.00	14.00	41.00	27mm
01-16S12GCS	M24 x 1.5	3/4	11.99	11.99	14.00	16.00	45.21	32mm
01-20S08GCS	M30 x 2	1/2	16.00	11.99	16.00	14.00	45.21	32mm
01-20S12GCS	M30 x 2	3/4	16.00	16.00	16.00	16.00	46.99	32mm
01-25S08GCS	M36 x 2	1/2	19.99	14.00	18.01	14.00	49.02	41mm
01-25S12GCS	M36 x 2	3/4	19.99	16.00	18.01	16.00	50.80	41mm

Add -CWNR to part number for complete with nuts and rings, i.e. 01-06S04GCS-CWNR.

DESIGN DETAILS AND SPECIFICATIONS SUBJECT TO CHANGE WITHOUT PRIOR NOTICE - Whilst every effort has been made to ensure the accuracy of the information supplied herein, Burnett & Hillman cannot be held responsible for any errors or omissions (E&OE)



	T1	T2	B1	B2	L1	L2	O/L	A/F
01-25S16GCS	M36 x 2	1	19.99	19.99	18.01	18.01	52.83	41mm
01-30S16GCS	M42 x 2	1	24.99	19.99	19.99	18.01	55.12	46mm
01-30S20GCS	M42 x 2	1-1/4	24.99	24.99	19.99	19.99	57.15	50mm
01-38S20GCS	M52 x 2	1-1/4	32.00	24.99	22.00	19.99	61.98	55mm
01-38S24GCS	M52 x 2	1-1/2	32.00	32.00	22.00	22.00	64.26	55mm

Add -CWNR to part number for complete with nuts and rings, i.e. 01-06S04GCS-CWNR.

DESIGN DETAILS AND SPECIFICATIONS SUBJECT TO CHANGE WITHOUT PRIOR NOTICE - Whilst every effort has been made to ensure the accuracy of the information supplied herein, Burnett & Hillman cannot be held responsible for any errors or omissions (E&OE)