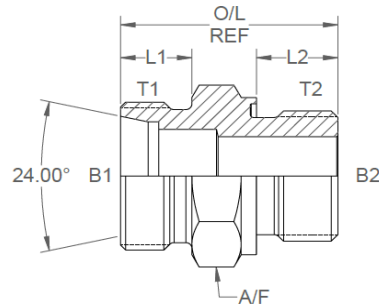


All dimensions are imperial unless stated.

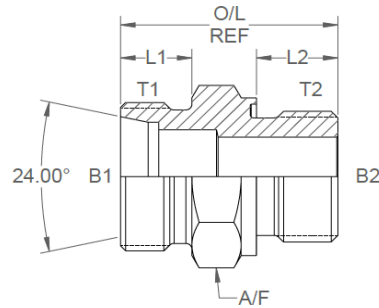


	T1	T2	B1	B2	L1	L2	O/L	A/F
01-06L02GCS	M12 x 1.5	1/8	0.157	0.157	0.394	0.315	0.925	14mm
01-06L04GCS	M12 x 1.5	1/4	0.157	0.157	0.394	0.472	1.141	19mm
01-08L02GCS	M14 x 1.5	1/8	0.236	0.157	0.394	0.315	0.96	14mm
01-08L04GCS	M14 x 1.5	1/4	0.236	0.236	0.394	0.472	1.181	19mm
01-08L06GCS	M14 x 1.5	3/8	0.236	0.236	0.394	0.472	1.24	22mm
01-08L08GCS	M14 x 1.5	1/2	0.236	0.236	0.394	0.551	1.377	27mm
01-10L04GCS	M16 x 1.5	1/4	0.236	0.236	0.433	0.472	1.181	19mm
01-10L06GCS	M16 x 1.5	3/8	0.315	0.315	0.433	0.472	1.24	22mm
01-10L08GCS	M16 x 1.5	1/2	0.315	0.315	0.433	0.551	1.377	27mm
01-12L04GCS	M18 x 1.5	1/4	0.394	0.236	0.433	0.472	1.23	19mm
01-12L06GCS	M18 x 1.5	3/8	0.394	0.315	0.433	0.472	1.24	22mm
01-12L08GCS	M18 x 1.5	1/2	0.394	0.394	0.433	0.551	1.377	27mm
01-12L12GCS	M18 x 1.5	3/4	0.394	0.394	0.433	0.63	1.574	32mm
01-15L06GCS	M22 x 1.5	3/8	0.472	0.354	0.472	0.472	1.24	24mm
01-15L08GCS	M22 x 1.5	1/2	0.437	0.437	0.472	0.551	1.417	27mm
01-15L12GCS	M22 x 1.5	3/4	0.472	0.63	0.472	0.63	1.574	32mm
01-18L06GCS	M26 x 1.5	3/8	0.591	0.354	0.472	0.472	1.32	27mm
01-18L08GCS	M26 x 1.5	1/2	0.591	0.472	0.472	0.551	1.417	27mm

Add -CWNR to part number for complete with nuts and rings, i.e. 01-06L02GCS-CWNR.

DESIGN DETAILS AND SPECIFICATIONS SUBJECT TO CHANGE WITHOUT PRIOR NOTICE - Whilst every effort has been made to ensure the accuracy of the information supplied herein, Burnett & Hillman cannot be held responsible for any errors or omissions (E&OE)

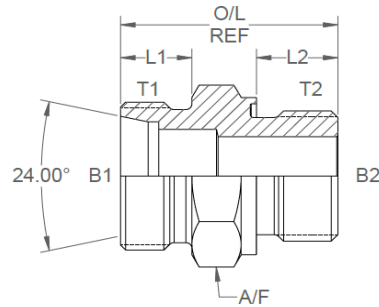
All dimensions are imperial unless stated.



	T1	T2	B1	B2	L1	L2	O/L	A/F
01-18L12GCS	M26 x 1.5	3/4	0.591	0.591	0.472	0.63	1.574	32mm
01-22L08GCS	M30 x 2	1/2	0.748	0.472	0.551	0.551	1.52	32mm
01-22L12GCS	M30 x 2	3/4	0.748	0.63	0.551	0.63	1.68	32mm
01-22L16GCS	M30 x 2	1	0.748	0.787	0.551	0.709	1.728	41mm
01-28L12GCS	M36 x 2	3/4	0.945	0.709	0.551	0.63	1.62	41mm
01-28L16GCS	M36 x 2	1	0.906	0.906	0.551	0.709	1.69	41mm
01-35L16GCS	M45 x 2	1	1.181	0.906	0.63	0.709	1.82	46mm
01-35L20GCS	M45 x 2	1-1/4	1.181	1.181	0.63	0.787	1.895	50mm
01-42L24GCS	M52 x 2	1-1/2	1.417	1.417	0.63	0.866	2.044	55mm

Add -CWNR to part number for complete with nuts and rings, i.e. 01-06L02GCS-CWNR.

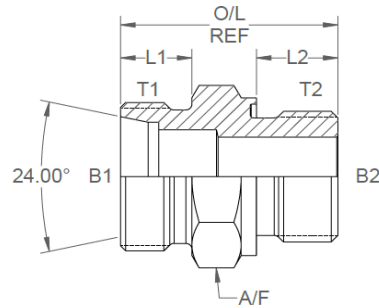
DESIGN DETAILS AND SPECIFICATIONS SUBJECT TO CHANGE WITHOUT PRIOR NOTICE - Whilst every effort has been made to ensure the accuracy of the information supplied herein, Burnett & Hillman cannot be held responsible for any errors or omissions (E&OE)



	T1	T2	B1	B2	L1	L2	O/L	A/F
01-06L02GCS	M12 x 1.5	1/8	4	4	10	8	24	14mm
01-06L04GCS	M12 x 1.5	1/4	4	4	10	12	29	19mm
01-08L02GCS	M14 x 1.5	1/8	6	4	10	8	24	14mm
01-08L04GCS	M14 x 1.5	1/4	6	6	10	12	30	19mm
01-08L06GCS	M14 x 1.5	3/8	6	6	10	12	32	22mm
01-08L08GCS	M14 x 1.5	1/2	6	6	10	14	35	27mm
01-10L04GCS	M16 x 1.5	1/4	6	6	11	12	30	19mm
01-10L06GCS	M16 x 1.5	3/8	8	8	11	12	32	22mm
01-10L08GCS	M16 x 1.5	1/2	8	8	11	14	35	27mm
01-12L04GCS	M18 x 1.5	1/4	10	6	11	12	31	19mm
01-12L06GCS	M18 x 1.5	3/8	10	8	11	12	32	22mm
01-12L08GCS	M18 x 1.5	1/2	10	10	11	14	35	27mm
01-12L12GCS	M18 x 1.5	3/4	10	10	11	16	40	32mm
01-15L06GCS	M22 x 1.5	3/8	12	9	12	12	32	24mm
01-15L08GCS	M22 x 1.5	1/2	11	11	12	14	36	27mm
01-15L12GCS	M22 x 1.5	3/4	12	16	12	16	40	32mm
01-18L06GCS	M26 x 1.5	3/8	15	9	12	12	34	27mm
01-18L08GCS	M26 x 1.5	1/2	15	12	12	14	36	27mm

Add -CWNR to part number for complete with nuts and rings, i.e. 01-06L02GCS-CWNR.

DESIGN DETAILS AND SPECIFICATIONS SUBJECT TO CHANGE WITHOUT PRIOR NOTICE - Whilst every effort has been made to ensure the accuracy of the information supplied herein, Burnett & Hillman cannot be held responsible for any errors or omissions (E&OE)



	T1	T2	B1	B2	L1	L2	O/L	A/F
01-18L12GCS	M26 x 1.5	3/4	15	15	12	16	40	32mm
01-22L08GCS	M30 x 2	1/2	19	12	14	14	39	32mm
01-22L12GCS	M30 x 2	3/4	19	16	14	16	43	32mm
01-22L16GCS	M30 x 2	1	19	20	14	18	44	41mm
01-28L12GCS	M36 x 2	3/4	24	18	14	16	41	41mm
01-28L16GCS	M36 x 2	1	23	23	14	18	43	41mm
01-35L16GCS	M45 x 2	1	30	23	16	18	46	46mm
01-35L20GCS	M45 x 2	1-1/4	30	30	16	20	48	50mm
01-42L24GCS	M52 x 2	1-1/2	36	36	16	22	52	55mm

Add -CWNR to part number for complete with nuts and rings, i.e. 01-06L02GCS-CWNR.

DESIGN DETAILS AND SPECIFICATIONS SUBJECT TO CHANGE WITHOUT PRIOR NOTICE - Whilst every effort has been made to ensure the accuracy of the information supplied herein, Burnett & Hillman cannot be held responsible for any errors or omissions (E&OE)