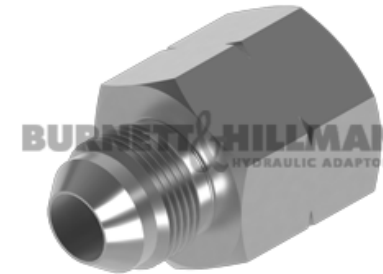
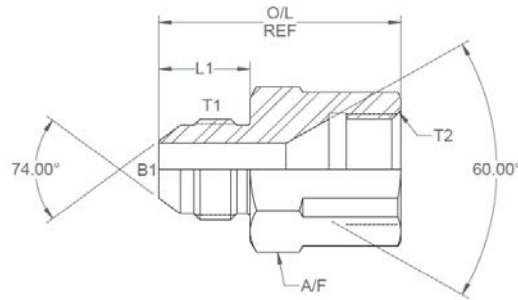


A/F dimensions are imperial unless stated.



	T1	T2	B1	L1	O/L	A/F
8701-04-14	7/16	M14 x 1.5	0.172 "	0.550 "	1.480 "	19mm
8701-06-18	9/16	M18 x 1.5	0.297 "	0.556 "	1.510 "	22mm
8701-08-22	3/4	M22 x 1.5	0.391 "	0.657 "	1.890 "	27mm
8701-10-24	7/8	M24 x 1.5	0.484 "	0.758 "	1.970 "	30mm
8701-12-30	1-1/16	M30 x 1.5	0.609 "	0.864 "	2.000 "	1.5
8701-16-33	1-5/16	M33 x 1.5	0.844 "	0.911 "	2.060 "	41mm

	T1	T2	B1	L1	O/L	A/F
8701-04-14	7/16	M14 x 1.5	4.37 mm	13.97 mm	37.59 mm	19mm
8701-06-18	9/16	M18 x 1.5	7.54 mm	14.12 mm	38.35 mm	22mm
8701-08-22	3/4	M22 x 1.5	9.93 mm	16.69 mm	48.01 mm	27mm
8701-10-24	7/8	M24 x 1.5	12.29 mm	19.25 mm	50.04 mm	30mm
8701-12-30	1-1/16	M30 x 1.5	15.47 mm	21.95 mm	50.80 mm	1.5
8701-16-33	1-5/16	M33 x 1.5	21.44 mm	23.14 mm	52.32 mm	41mm