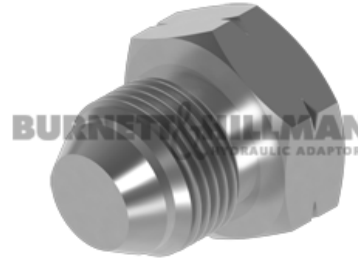
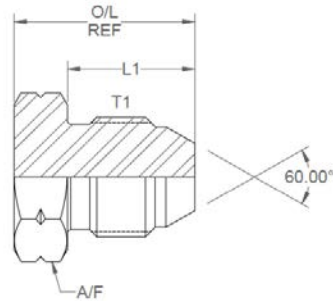


A/F dimensions are imperial unless stated.



	T1	L1	O/L	A/F
9711-14	M14 x 1.5	0.690 "	1.010 "	17mm
9711-18	M18 x 1.5	0.740 "	1.050 "	22mm
9711-22	M22 x 1.5	0.795 "	1.188 "	27mm
9711-24	M24 x 1.5	0.865 "	1.258 "	27mm
9711-30	M30 x 1.5	0.950 "	1.420 "	1.5
9711-33	M33 x 1.5	0.960 "	1.460 "	1.5

	T1	L1	O/L	A/F
9711-14	M14 x 1.5	17.53 mm	25.65 mm	17mm
9711-18	M18 x 1.5	18.80 mm	26.67 mm	22mm
9711-22	M22 x 1.5	20.19 mm	30.18 mm	27mm
9711-24	M24 x 1.5	21.97 mm	31.95 mm	27mm
9711-30	M30 x 1.5	24.13 mm	36.07 mm	1.5
9711-33	M33 x 1.5	24.38 mm	37.08 mm	1.5

DESIGN DETAILS AND SPECIFICATIONS SUBJECT TO CHANGE WITHOUT PRIOR NOTICE - Whilst every effort has been made to ensure the accuracy of the information supplied herein, Burnett & Hillman cannot be held responsible for any errors or omissions (E&OE)