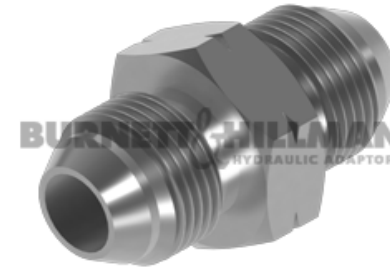
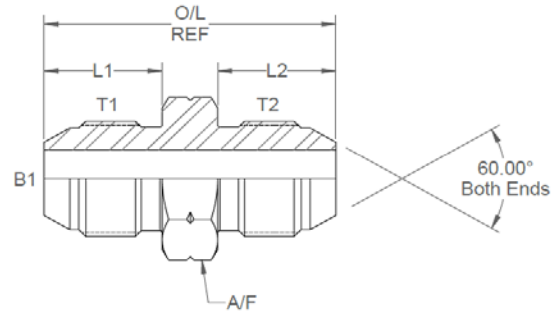


A/F dimensions are imperial unless stated.



	T1	T2	B1	L1	L2	O/L	A/F
9741-14	M14 x 1.5	M14 x 1.5	0.205 "	0.690 "	0.690 "	1.700 "	17mm
9741-18	M18 x 1.5	M18 x 1.5	0.315 "	0.740 "	0.740 "	1.790 "	22mm
9741-22	M22 x 1.5	M22 x 1.5	0.437 "	0.850 "	0.850 "	2.100 "	27mm
9741-24	M24 x 1.5	M24 x 1.5	0.437 "	0.865 "	0.865 "	2.100 "	27mm
9741-30	M30 x 1.5	M30 x 1.5	0.710 "	0.950 "	0.950 "	2.337 "	1.5
9741-33	M33 x 1.5	M33 x 1.5	0.866 "	0.960 "	0.960 "	2.430 "	1.5

	T1	T2	B1	L1	L2	O/L	A/F
9741-14	M14 x 1.5	M14 x 1.5	5.21 mm	17.53 mm	17.53 mm	43.18 mm	17mm
9741-18	M18 x 1.5	M18 x 1.5	8.00 mm	18.80 mm	18.80 mm	45.47 mm	22mm
9741-22	M22 x 1.5	M22 x 1.5	11.10 mm	21.59 mm	21.59 mm	53.34 mm	27mm
9741-24	M24 x 1.5	M24 x 1.5	11.10 mm	21.97 mm	21.97 mm	53.34 mm	27mm
9741-30	M30 x 1.5	M30 x 1.5	18.03 mm	24.13 mm	24.13 mm	59.36 mm	1.5
9741-33	M33 x 1.5	M33 x 1.5	22.00 mm	24.38 mm	24.38 mm	61.72 mm	1.5