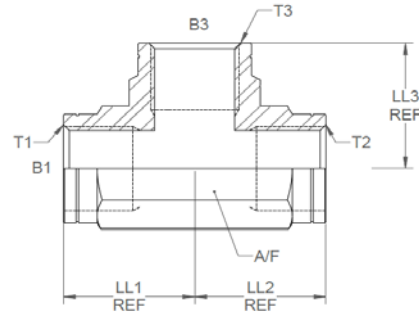
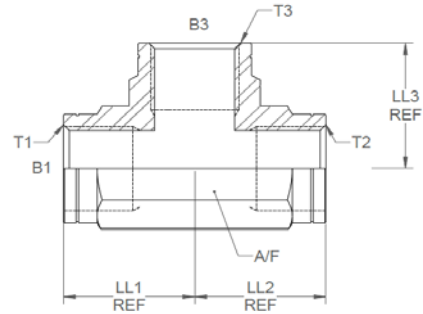


All dimensions are imperial unless stated.



	T1	T2	T3	B1	B3	LL1	LL2	LL3	A/F
11976FD	1/4	1/4	1/4	0.464	0.464	0.881	0.881	0.881	19mm
11977FD	3/8	3/8	3/8	0.6	0.6	1.02	1.02	1.02	22mm
11978FD	1/2	1/2	1/2	0.75	0.75	1.228	1.228	1.228	27mm
11980FD	3/4	3/4	3/4	0.964	0.964	1.358	1.358	1.358	33mm
11981FD	1	1	1	1.21	1.21	1.622	1.622	1.622	41mm

A/F dimensions are imperial unless stated.



	T1	T2	T3	B1	B3	LL1	LL2	LL3	A/F
11976FD	1/4	1/4	1/4	11.79	11.79	22.38	22.38	22.38	19mm
11977FD	3/8	3/8	3/8	15.24	15.24	25.91	25.91	25.91	22mm
11978FD	1/2	1/2	1/2	19.05	19.05	31.19	31.19	31.19	27mm
11980FD	3/4	3/4	3/4	24.49	24.49	34.49	34.49	34.49	33mm
11981FD	1	1	1	30.73	30.73	41.2	41.2	41.2	41mm