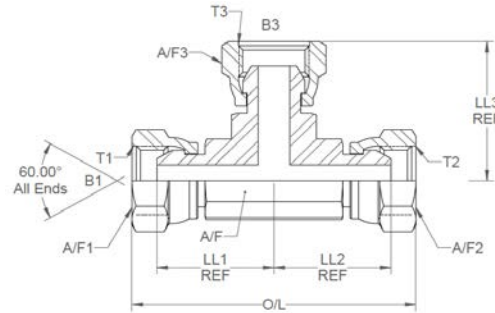
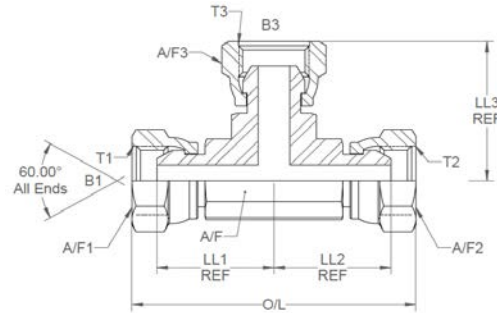


All dimensions are imperial unless stated.



	T1	T2	T3	B1	B3	O/L	LL1	LL2	LL3	A/F	A/F1	A/F2	A/F3
01976FD	1/4	1/4	1/4	0.172	0.172	2	0.787	0.787	1.01	14mm	19mm	19mm	19mm
01977FD	3/8	3/8	3/8	0.271	0.271	2.85	1.181	1.181	1.43	17mm	22mm	22mm	22mm
01978FD	1/2	1/2	1/2	0.375	0.375	3.33	1.378	1.378	1.67	22mm	27mm	27mm	27mm
01980FD	3/4	3/4	3/4	0.6	0.6	4.23	1.732	1.732	2.15	26mm	32mm	32mm	32mm
01981FD	1	1	1	0.797	0.797	4.72	1.929	1.929	2.37	33mm	41mm	41mm	41mm

A/F dimensions are imperial unless stated.



	T1	T2	T3	B1	B3	O/L	LL1	LL2	LL3	A/F	A/F1	A/F2	A/F3
01976FD	1/4	1/4	1/4	4.37	4.37	50.8	19.99	19.99	25.65	14mm	19mm	19mm	19mm
01977FD	3/8	3/8	3/8	6.88	6.88	72.39	30	30	36.32	17mm	22mm	22mm	22mm
01978FD	1/2	1/2	1/2	9.53	9.53	84.58	35	35	42.42	22mm	27mm	27mm	27mm
01980FD	3/4	3/4	3/4	15.24	15.24	107.44	43.99	43.99	54.61	26mm	32mm	32mm	32mm
01981FD	1	1	1	20.24	20.24	119.89	49	49	60.2	33mm	41mm	41mm	41mm