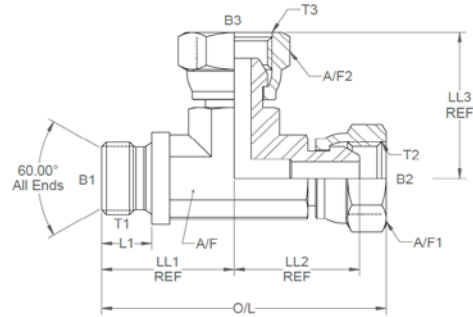


**BSP male x BSP swivel female x**  
**BSP swivel female branch tee -**  
**forged**

Nov-21  
1030 IMP

All dimensions are imperial unless stated.

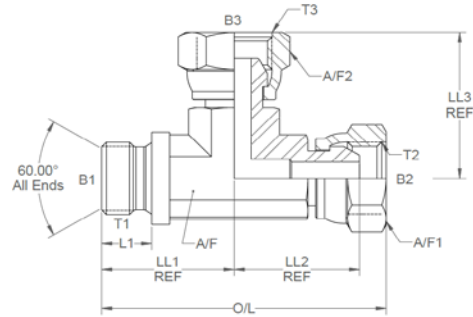


	T1	T2	T3	B1	B2	B3	L1	O/L	LL1	LL2	LL3	A/F	A/F1	A/F2
09626FD	1/4	1/4	1/4	0.185	0.172	0.172	0.433	2.09	1.023	0.846	1.05	14mm	19mm	19mm
09627FD	3/8	3/8	3/8	0.312	0.271	0.271	0.472	2.625	1.181	1.181	1.43	17mm	22mm	22mm
09628FD	1/2	1/2	1/2	0.437	0.375	0.375	0.551	3.04	1.378	1.378	1.67	22mm	27mm	27mm
09630FD	3/4	3/4	3/4	0.659	0.6	0.6	0.63	3.76	1.653	1.732	2.15	26mm	32mm	32mm
09631FD	1	1	1	0.875	0.797	0.797	0.748	4.26	1.929	1.929	2.37	33mm	41mm	41mm

**BSP male x BSP swivel female x**  
**BSP swivel female branch tee -**  
**forged**

Nov-21  
 1030 METRIC

A/F dimensions are imperial unless stated.



	T1	T2	T3	B1	B2	B3	L1	O/L	LL1	LL2	LL3	A/F	A/F1	A/F2
09626FD	1/4	1/4	1/4	4.7	4.37	4.37	11	53.09	25.98	21.49	26.67	14mm	19mm	19mm
09627FD	3/8	3/8	3/8	7.92	6.88	6.88	11.99	66.68	30	30	36.32	17mm	22mm	22mm
09628FD	1/2	1/2	1/2	11.1	9.53	9.53	14	77.22	35	35	42.42	22mm	27mm	27mm
09630FD	3/4	3/4	3/4	16.74	15.24	15.24	16	95.5	41.99	43.99	54.61	26mm	32mm	32mm
09631FD	1	1	1	22.23	20.24	20.24	19	108.2	49	49	60.2	33mm	41mm	41mm