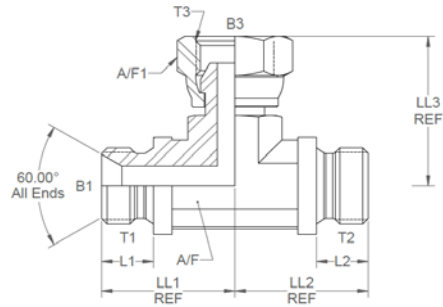


All dimensions are imperial unless stated.

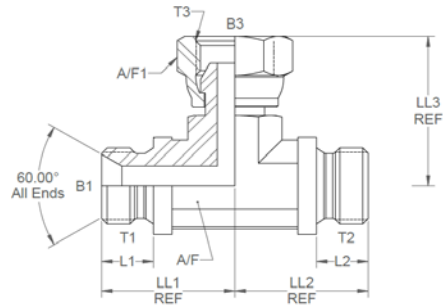


	T1	T2	T3	B1	B3	L1	L2	LL1	LL2	LL3	A/F	A/F1
02001FD	1/4	1/4	1/4	0.185	0.172	0.433	0.433	1.023	1.023	1.05	14mm	19mm
02002FD	3/8	3/8	3/8	0.312	0.271	0.472	0.472	1.181	1.181	1.43	17mm	22mm
02003FD	1/2	1/2	1/2	0.437	0.375	0.551	0.551	1.378	1.378	1.67	22mm	27mm
02005FD	3/4	3/4	3/4	0.659	0.6	0.63	0.63	1.653	1.653	2.15	27mm	32mm
02006FD	1	1	1	0.875	0.797	0.748	0.748	1.85	1.85	2.37	33mm	41mm

**BSP male x BSP male x BSP
swivel female branch tee - forged**

Nov-21
1028 METRIC

A/F dimensions are imperial unless stated.



	T1	T2	T3	B1	B3	L1	L2	LL1	LL2	LL3	A/F	A/F1
02001FD	1/4	1/4	1/4	4.7	4.37	11	11	25.98	25.98	26.67	14mm	19mm
02002FD	3/8	3/8	3/8	7.92	6.88	11.99	11.99	30	30	36.32	17mm	22mm
02003FD	1/2	1/2	1/2	11.1	9.53	14	14	35	35	42.42	22mm	27mm
02005FD	3/4	3/4	3/4	16.74	15.24	16	16	41.99	41.99	54.61	27mm	32mm
02006FD	1	1	1	22.23	20.24	19	19	46.99	46.99	60.2	33mm	41mm