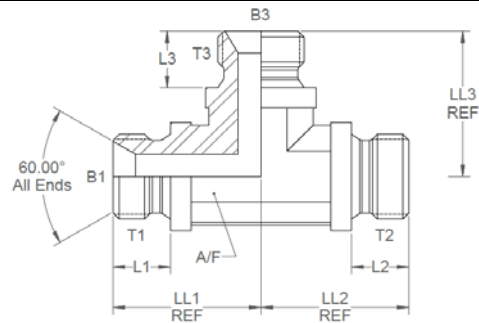
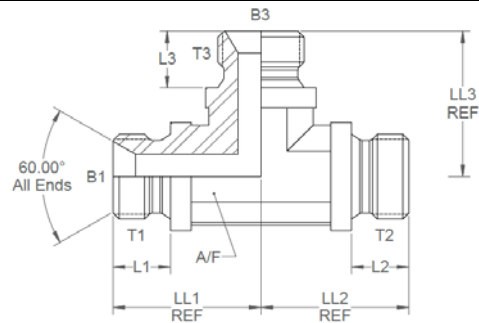


All dimensions are imperial unless stated.



	T1	T2	T3	B1	B3	L1	L2	L3	LL1	LL2	LL3	A/F
01925FD	1/4	1/4	1/4	0.185	0.185	0.433	0.433	0.433	1.023	1.023	1.023	14mm
01926FD	3/8	3/8	3/8	0.312	0.312	0.472	0.472	0.472	1.181	1.181	1.181	17mm
01927FD	1/2	1/2	1/2	0.437	0.437	0.551	0.551	0.511	1.417	1.417	1.417	22mm
01929FD	3/4	3/4	3/4	0.659	0.659	0.63	0.63	0.63	1.653	1.653	1.653	27mm
01930FD	1	1	1	0.875	0.875	0.748	0.748	0.748	1.929	1.929	1.929	33mm

A/F dimensions are imperial unless stated.



	T1	T2	T3	B1	B3	L1	L2	L3	LL1	LL2	LL3	A/F
01925FD	1/4	1/4	1/4	4.7	4.7	11	11	11	25.98	25.98	25.98	14mm
01926FD	3/8	3/8	3/8	7.92	7.92	11.99	11.99	11.99	30	30	30	17mm
01927FD	1/2	1/2	1/2	11.1	11.1	14	14	12.98	35.99	35.99	35.99	22mm
01929FD	3/4	3/4	3/4	16.74	16.74	16	16	16	41.99	41.99	41.99	27mm
01930FD	1	1	1	22.23	22.23	19	19	19	49	49	49	33mm