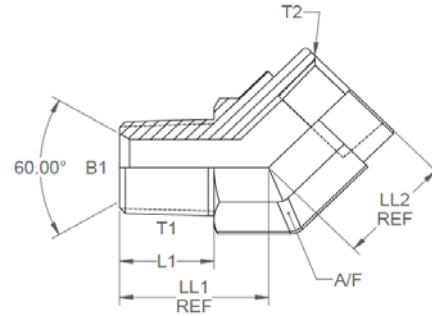


**NPTF male x NPTF fixed female 45°  
Forged Elbow**

Nov-21  
1024 IMP

All dimensions are imperial unless stated.

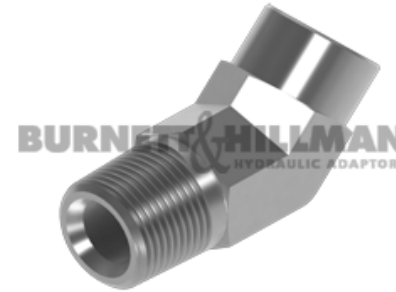
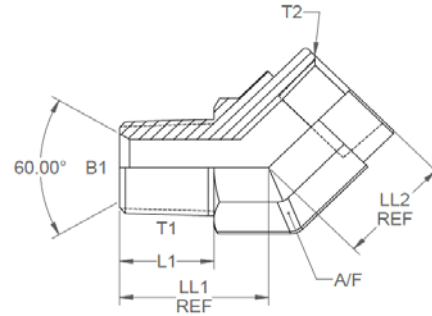


	T1	T2	B1	L1	LL1	LL2	A/F
07051-45FD	1/4	1/4	0.281	0.38	1.05	0.62	0.75
07052-45FD	3/8	3/8	0.406	0.56	1.06	0.72	0.875
07053-45FD	1/2	1/2	0.531	0.75	1.34	0.91	1.062
07054-45FD	3/4	3/4	0.719	0.75	1.38	0.97	1.312
07055-45FD	1	1	0.938	0.94	1.72	1.12	1.625

**NPTF male x NPTF fixed female 45°**  
**Forged Elbow**

Nov-21  
1025 METRIC

A/F dimensions are imperial unless stated.



	T1	T2	B1	L1	LL1	LL2	A/F
07051-45FD	1/4	1/4	7.14	9.65	26.67	15.75	0.75
07052-45FD	3/8	3/8	10.31	14.22	26.92	18.29	0.875
07053-45FD	1/2	1/2	13.49	19.05	34.04	23.11	1.062
07054-45FD	3/4	3/4	18.26	19.05	35.05	24.64	1.312
07055-45FD	1	1	23.83	23.88	43.69	28.45	1.625