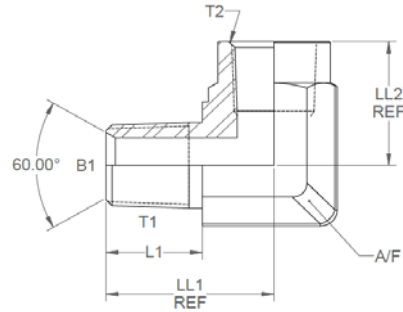


**NPTF male x NPTF fixed female 90°
 Forged Elbow**

Nov-21
 1024 IMP

All dimensions are imperial unless stated.

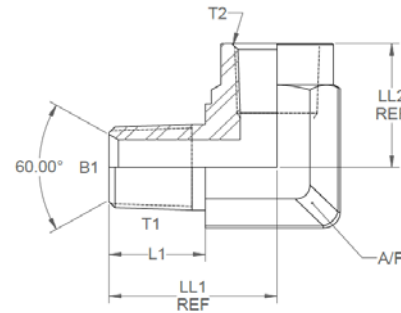


	T1	T2	B1	L1	LL1	LL2	A/F
07050FD	1/8	1/8	0.188	0.38	0.78	0.66	0.562
07051FD	1/4	1/4	0.281	0.38	1.09	0.88	0.75
07052FD	3/8	3/8	0.406	0.56	1.22	1.02	0.875
07053FD	1/2	1/2	0.531	0.75	1.47	1.23	1.062

**NPTF male x NPTF fixed female 90°
Forged Elbow**

Nov-21
1024 METRIC

A/F dimensions are imperial unless stated.



	T1	T2	B1	L1	LL1	LL2	A/F
07050FD	1/8	1/8	4.78	9.65	19.81	16.76	0.562
07051FD	1/4	1/4	7.14	9.65	27.69	22.35	0.75
07052FD	3/8	3/8	10.31	14.22	30.99	25.91	0.875
07053FD	1/2	1/2	13.49	19.05	37.34	31.24	1.062