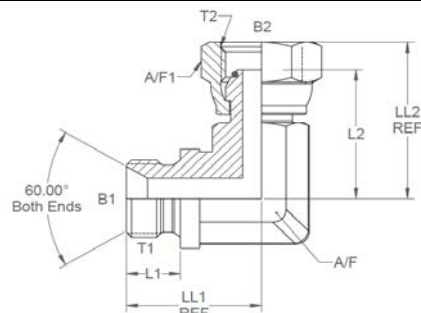


BSP male x BSP swivel female O'ring Seal 90° forged compact elbow (Soft Seal)

Nov-21
1022 IMP

All dimensions are imperial unless stated.



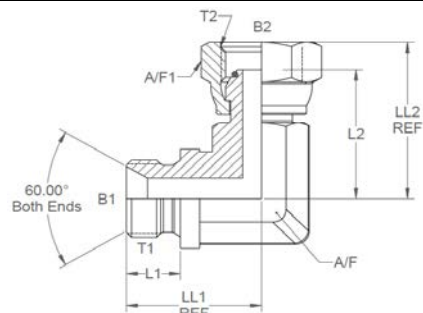
	T1	T2	B1	B2	L1	L2	LL1	LL2	A/F	A/F1
05000FD-OR	1/4	1/4	0.185	0.172	0.433	1.023	1.023	1.26	14mm	19mm
05001FD-OR	3/8	3/8	0.312	0.271	0.472	1.181	1.181	1.42	17mm	22mm
05002FD-OR	1/2	1/2	0.437	0.375	0.551	1.377	1.377	1.69	22mm	27mm
05004FD-OR	3/4	3/4	0.659	0.6	0.63	1.653	1.653	2.05	27mm	32mm
05005FD-OR	1	1	0.875	0.797	0.748	1.732	1.85	2.23	33mm	41mm

DESIGN DETAILS AND SPECIFICATIONS SUBJECT TO CHANGE WITHOUT PRIOR NOTICE - Whilst every effort has been made to ensure the accuracy of the information supplied herein, Burnett & Hillman cannot be held responsible for any errors or omissions (E&OE)

BSP male x BSP swivel female O'ring Seal 90° forged compact elbow (Soft Seal)

Nov-21
1022 METRIC

A/F dimensions are imperial unless stated.



	T1	T2	B1	B2	L1	L2	LL1	LL2	A/F	A/F1
05000FD-OR	1/4	1/4	4.7	4.37	11	25.98	25.98	32	14mm	19mm
05001FD-OR	3/8	3/8	7.92	6.88	11.99	30	30	36.07	17mm	22mm
05002FD-OR	1/2	1/2	11.1	9.53	14	34.98	34.98	42.93	22mm	27mm
05004FD-OR	3/4	3/4	16.74	15.24	16	41.99	41.99	52.07	27mm	32mm
05005FD-OR	1	1	22.23	20.24	19	43.99	46.99	56.64	33mm	41mm