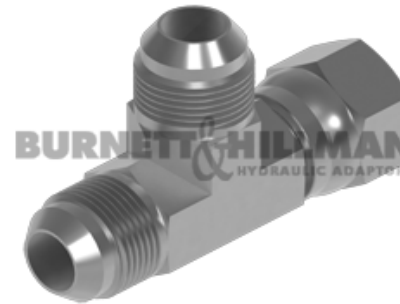
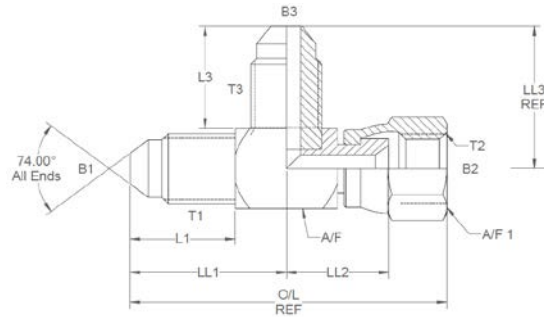
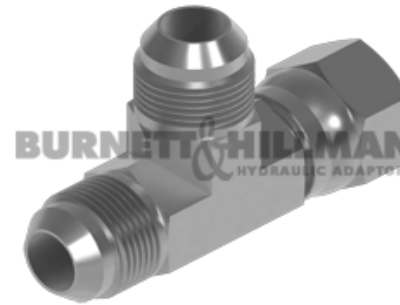
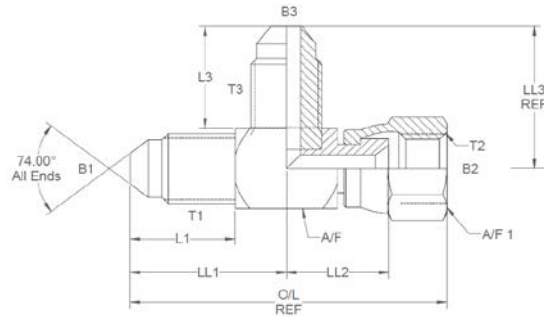


All dimensions are imperial unless stated.



	T1	T2	T3	B1	B2	B3	L1	L3	O/L	LL1	LL2	LL3	A/F	A/F1
12040FD	7/16	7/16	7/16	0.172	0.172	0.172	0.535	0.535	1.9	0.89	0.63	0.89	0.438	0.562
12041FD	1/2	1/2	1/2	0.234	0.234	0.234	0.535	0.535	2.05	0.95	0.65	0.95	0.562	0.625
12042FD	9/16	9/16	9/16	0.297	0.297	0.297	0.541	0.541	2.301	1.06	0.8	1.06	0.562	0.687
12043FD	3/4	3/4	3/4	0.391	0.391	0.391	0.642	0.642	2.625	1.25	0.88	1.25	0.750	0.875
12044FD	7/8	7/8	7/8	0.484	0.484	0.484	0.743	0.743	3.1	1.45	1.1	1.45	0.875	1
12045FD	1-1/16	1-1/16	1-1/16	0.609	0.609	0.609	0.99	0.99	3.44	1.65	1.1	1.63	27mm	1.25
12046FD	1/5/16	1-5/16	1-5/16	0.843	0.843	0.843	0.896	0.896	3.85	1.81	1.36	1.81	1.312	1.5
12047FD	1-5/8	1-5/8	1-5/8	1.078	1.078	1.078	0.943	0.943	4.4	2.06	1.73	2.06	1.625	50mm

A/F dimensions are imperial unless stated.



	T1	T2	T3	B1	B2	B3	L1	L3	O/L	LL1	LL2	LL3	A/F	A/F1
12040FD	7/16	7/16	7/16	4.37	4.37	4.37	13.59	13.59	48.26	22.61	16	22.61	0.438	0.562
12041FD	1/2	1/2	1/2	5.94	5.94	5.94	13.59	13.59	52.07	24.13	16.51	24.13	0.562	0.625
12042FD	9/16	9/16	9/16	7.54	7.54	7.54	13.74	13.74	58.45	26.92	20.32	26.92	0.562	0.687
12043FD	3/4	3/4	3/4	9.93	9.93	9.93	16.31	16.31	66.68	31.75	22.35	31.75	0.750	0.875
12044FD	7/8	7/8	7/8	12.29	12.29	12.29	18.87	18.87	78.74	36.83	27.94	36.83	0.875	1
12045FD	1-1/16	1-1/16	1-1/16	15.47	15.47	15.47	25.15	25.15	87.38	41.91	27.94	41.4	27mm	1.25
12046FD	1/5/16	1-5/16	1-5/16	21.41	21.41	21.41	22.76	22.76	97.79	45.97	34.54	45.97	1.312	1.5
12047FD	1-5/8	1-5/8	1-5/8	27.38	27.38	27.38	23.95	23.95	111.76	52.32	43.94	52.32	1.625	50mm