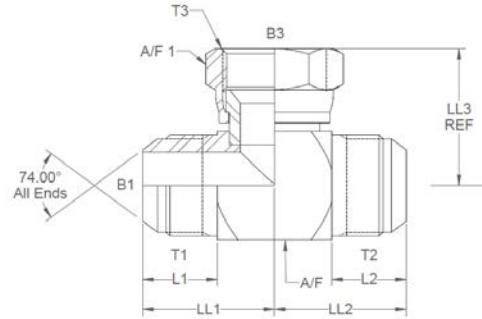


**JIC male x JIC male x JIC swivel  
female forged branch tee**

Nov-21  
1020 IMP

All dimensions are imperial unless stated.

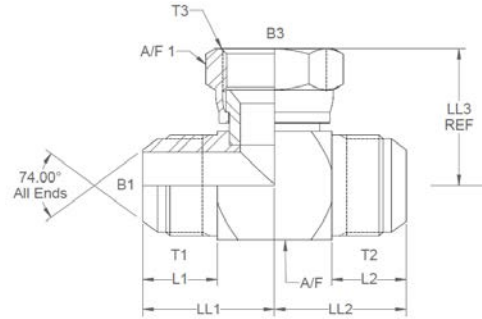


	T1	T2	T3	B1	B3	L1	L2	LL1	LL2	LL3	A/F	A/F1
02053FD	7/16	7/16	7/16	0.173	0.173	0.535	0.535	0.89	0.89	1	0.438	0.562
02050FD	9/16	9/16	9/16	0.297	0.297	0.541	0.541	1.06	1.06	1.25	0.562	0.687
02051FD	3/4	3/4	3/4	0.391	0.391	0.642	0.642	1.25	1.25	1.38	0.75	0.875
02054FD	1-1/16	1-1/6	1-1/16	0.609	0.609	0.849	0.849	1.66	1.66	1.75	1.062	1.25

**JIC male x JIC male x JIC swivel  
female forged branch tee**

Nov-21  
1020 METRIC

A/F dimensions are imperial unless stated.



	T1	T2	T3	B1	B3	L1	L2	LL1	LL2	LL3	A/F	A/F1
02053FD	7/16	7/16	7/16	4.39	4.39	13.59	13.59	22.61	22.61	25.4	0.438	0.562
02050FD	9/16	9/16	9/16	7.54	7.54	13.74	13.74	26.92	26.92	31.75	0.562	0.687
02051FD	3/4	3/4	3/4	9.93	9.93	16.31	16.31	31.75	31.75	35.05	0.75	0.875
02054FD	1-1/16	1-1/6	1-1/16	15.47	15.47	21.56	21.56	42.16	42.16	44.45	1.062	1.25