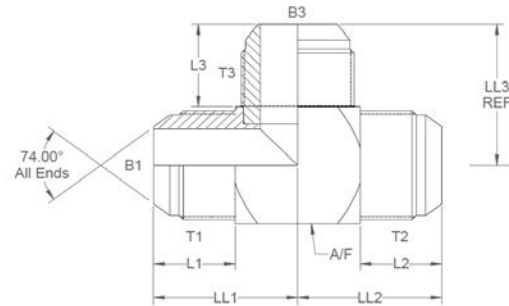
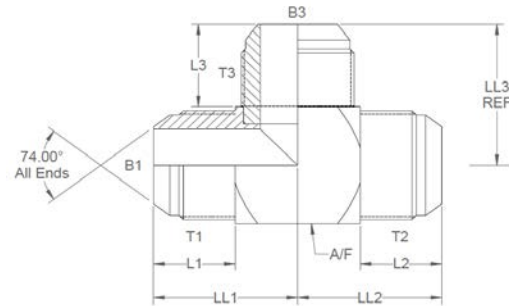


All dimensions are imperial unless stated.



	T1	T2	T3	B1	B3	L1	L2	L3	LL1	LL2	LL3	A/F
01949FD	3/8	3/8	3/8	0.125	0.125	0.464	0.464	0.464	0.83	0.83	0.83	0.438
01950FD	7/16	7/16	7/16	0.172	0.172	0.535	0.535	0.535	0.89	0.89	0.89	0.438
01951FD	1/2	1/2	1/2	0.234	0.234	0.535	0.535	0.535	0.95	0.95	0.95	0.562
01952FD	9/16	9/16	9/16	0.297	0.297	0.541	0.541	0.541	1.06	1.06	1.06	0.562
01953FD	3/4	3/4	3/4	0.391	0.391	0.642	0.642	0.642	1.25	1.25	1.25	0.75
01954FD	7/8	7/8	7/8	0.484	0.484	0.743	0.743	0.743	1.45	1.45	1.45	0.875
01955FD	1-1/16	1-1/16	1-1/16	0.609	0.609	0.849	0.849	0.849	1.66	1.66	1.66	1.062

A/F dimensions are imperial unless stated.



	T1	T2	T3	B1	B3	L1	L2	L3	LL1	LL2	LL3	A/F
01949FD	3/8	3/8	3/8	3.18	3.18	11.79	11.79	11.79	21.08	21.08	21.08	0.438
01950FD	7/16	7/16	7/16	4.37	4.37	13.59	13.59	13.59	22.61	22.61	22.61	0.438
01951FD	1/2	1/2	1/2	5.94	5.94	13.59	13.59	13.59	24.13	24.13	24.13	0.562
01952FD	9/16	9/16	9/16	7.54	7.54	13.74	13.74	13.74	26.92	26.92	26.92	0.562
01953FD	3/4	3/4	3/4	9.93	9.93	16.31	16.31	16.31	31.75	31.75	31.75	0.75
01954FD	7/8	7/8	7/8	12.29	12.29	18.87	18.87	18.87	36.83	36.83	36.83	0.875
01955FD	1-1/16	1-1/16	1-1/16	15.47	15.47	21.56	21.56	21.56	42.16	42.16	42.16	1.062