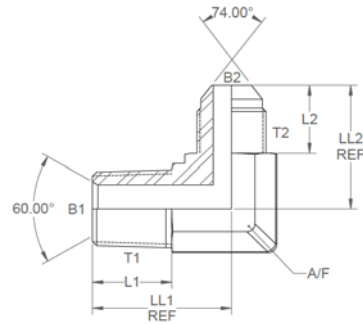


## NPTF male x JIC male 90° forged compact elbow

Nov-21  
1018 IMP

All dimensions are imperial unless stated.



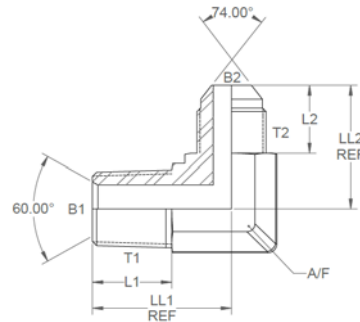
	T1	T2	B1	B2	L1	L2	LL1	LL2	A/F
04050FD	1/8	7/16	0.188	0.172	0.38	0.535	0.78	0.89	0.438
04052FD	1/8	9/16	0	0	0	0	0	0	0
04053FD	1/4	7/16	0.281	0.172	0.56	0.535	1.09	1.06	0.562
04055FD	1/4	9/16	0.281	0.297	0.56	0.541	1.09	1.06	0.562
04057FD	3/8	7/16	0.406	0.172	0.56	0.535	1.22	1.08	0.75
04059FD	3/8	9/16	0.406	0.297	0.56	0.541	1.22	1.17	0.75
04060FD	3/8	3/4	0.406	0.391	0.56	0.642	1.22	1.25	0.75
04064FD	1/2	9/16	0.531	0.297	0.75	0.541	1.47	1.21	0.875
04065FD	1/2	3/4	0.531	0.391	0.75	0.642	1.47	1.31	0.875
04066FD	1/2	7/8	0.531	0.484	0.75	0.743	1.47	1.45	0.875
04070FD	3/4	9/16	0.719	0.297	0.75	0.541	1.59	1.34	1.062
04071FD	3/4	3/4	0.719	0.391	0.75	0.642	1.59	1.42	1.062
04072FD	3/4	7/8	0	0	0	0	0	0	0
04073FD	3/4	1-1/16	0.719	0.609	0.75	0.849	1.59	1.66	1.062
04076FD	1	1-5/16	0.938	0.844	0.94	0.896	1.97	1.81	1.312
04079FD	1-1/4	1-5/8	1.25	1.078	0.97	0.943	2.38	2.06	1.625
04080FD	1-1/2	1-7/8	1.5	1.312	1	1.068	2.64	2.33	1.875
04081FD	2	2-1/2	0	0	0	0	0	0	0

DESIGN DETAILS AND SPECIFICATIONS SUBJECT TO CHANGE WITHOUT PRIOR NOTICE - Whilst every effort has been made to ensure the accuracy of the information supplied herein, Burnett & Hillman cannot be held responsible for any errors or omissions (E&OE)

## NPTF male x JIC male 90° forged compact elbow

Nov-21  
1018 METRIC

A/F dimensions are imperial unless stated.



	T1	T2	B1	B2	L1	L2	LL1	LL2	A/F
04050FD	1/8	7/16	4.78	4.37	9.65	13.59	19.81	22.61	0.438
04052FD	1/8	9/16	0	0	0	0	0	0	0
04053FD	1/4	7/16	7.14	4.37	14.22	13.59	27.69	26.92	0.562
04055FD	1/4	9/16	7.14	7.54	14.22	13.74	27.69	26.92	0.562
04057FD	3/8	7/16	10.31	4.37	14.22	13.59	30.99	27.43	0.75
04059FD	3/8	9/16	10.31	7.54	14.22	13.74	30.99	29.72	0.75
04060FD	3/8	3/4	10.31	9.93	14.22	16.31	30.99	31.75	0.75
04064FD	1/2	9/16	13.49	7.54	19.05	13.74	37.34	30.73	0.875
04065FD	1/2	3/4	13.49	9.93	19.05	16.31	37.34	33.27	0.875
04066FD	1/2	7/8	13.49	12.29	19.05	18.87	37.34	36.83	0.875
04070FD	3/4	9/16	18.26	7.54	19.05	13.74	40.39	34.04	1.062
04071FD	3/4	3/4	18.26	9.93	19.05	16.31	40.39	36.07	1.062
04072FD	3/4	7/8	0	0	0	0	0	0	0
04073FD	3/4	1-1/16	18.26	15.47	19.05	21.56	40.39	42.16	1.062
04076FD	1	1-5/16	23.83	21.44	23.88	22.76	50.04	45.97	1.312
04079FD	1-1/4	1-5/8	31.75	27.38	24.64	23.95	60.45	52.32	1.625
04080FD	1-1/2	1-7/8	38.1	33.32	25.4	27.13	67.06	59.18	1.875
04081FD	2	2-1/2	0	0	0	0	0	0	0

DESIGN DETAILS AND SPECIFICATIONS SUBJECT TO CHANGE WITHOUT PRIOR NOTICE - Whilst every effort has been made to ensure the accuracy of the information supplied herein, Burnett & Hillman cannot be held responsible for any errors or omissions (E&OE)