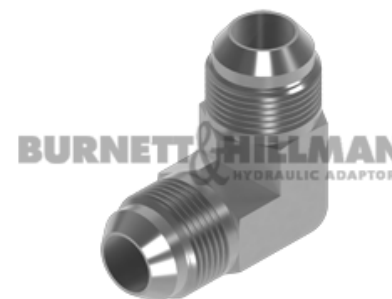
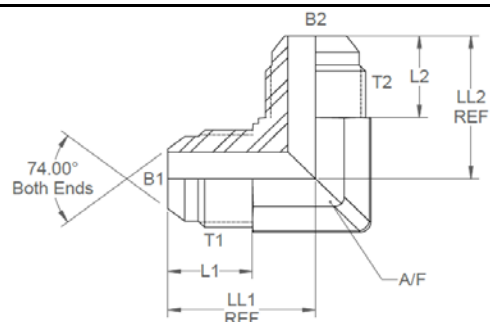


All dimensions are imperial unless stated.

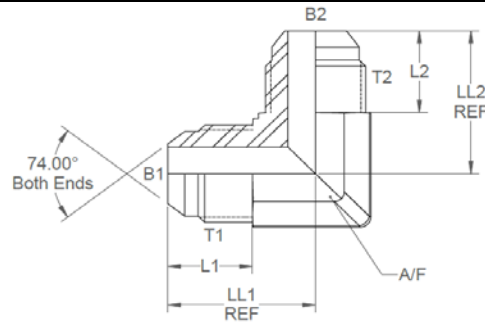


	T1	T2	B1	B2	L1	L2	LL1	LL2	A/F
03085FD	7/16	7/16	0.172	0.172	0.535	0.535	0.89	0.89	0.438
03086FD	1/2	1/2	0.234	0.234	0.535	0.535	0.95	0.95	0.562
03087FD	9/16	9/16	0.297	0.297	0.541	0.541	1.06	1.06	0.562
03088FD	3/4	3/4	0.391	0.391	0.642	0.642	1.25	1.25	0.75
03089FD	7/8	7/8	0.484	0.484	0.743	0.743	1.45	1.45	0.875
03090FD	1-1/16	1-1/16	0.609	0.609	0.849	0.849	1.66	1.66	1.062
03091FD	1-3/16	1-3/16	0.719	0.719	0.875	0.875	1.8	1.8	1.312
03092FD	1-5/16	1-5/16	0.844	0.844	0.896	0.896	1.81	1.81	1.312
03094FD	1-5/8	1-5/8	1.078	1.078	0.943	0.943	2.06	2.06	1.625
03093FD	1-7/8	1-7/8	1.312	1.312	1.068	1.068	2.33	2.33	1.875

**JIC male x JIC male 90° forged compact
elbow**

Nov-21
1016 METRIC

A/F dimensions are imperial unless stated.



	T1	T2	B1	B2	L1	L2	LL1	LL2	A/F
03085FD	7/16	7/16	4.37	4.37	13.59	13.59	22.61	22.61	0.438
03086FD	1/2	1/2	5.94	5.94	13.59	13.59	24.13	24.13	0.562
03087FD	9/16	9/16	7.54	7.54	13.74	13.74	26.92	26.92	0.562
03088FD	3/4	3/4	9.93	9.93	16.31	16.31	31.75	31.75	0.75
03089FD	7/8	7/8	12.29	12.29	18.87	18.87	36.83	36.83	0.875
03090FD	1-1/16	1-1/16	15.47	15.47	21.56	21.56	42.16	42.16	1.062
03091FD	1-3/16	1-3/16	18.26	18.26	22.23	22.23	45.72	45.72	1.312
03092FD	1-5/16	1-5/16	21.44	21.44	22.76	22.76	45.97	45.97	1.312
03094FD	1-5/8	1-5/8	27.38	27.38	23.95	23.95	52.32	52.32	1.625
03093FD	1-7/8	1-7/8	33.32	33.32	27.13	27.13	59.18	59.18	1.875