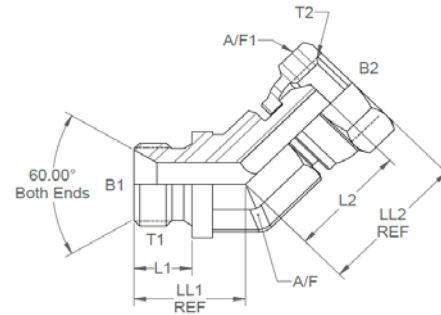


BSP male x BSP swivel female 45°
forged compact elbow

Nov-21
1012 IMP

All dimensions are imperial unless stated.

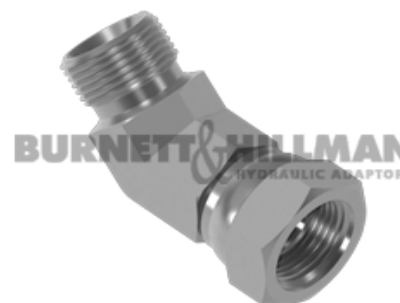
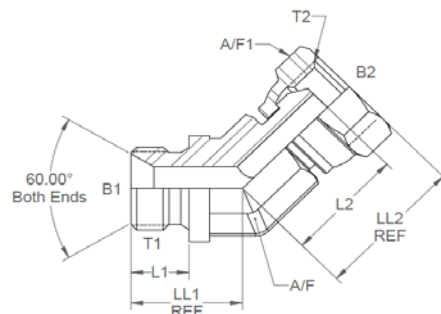


	T1	T2	B1	B2	L1	L2	LL1	LL2	A/F	A/F1
05000/45FD	1/4	1/4	0.185	0.172	0.433	0.826	0.826	1.04	14mm	19mm
05001/45FD	3/8	3/8	0.312	0.271	0.472	0.984	0.944	1.25	17mm	22mm
05002/45FD	1/2	1/2	0.437	0.375	0.551	1.141	1.062	1.45	22mm	27mm
05004/45FD	3/4	3/4	0.659	0.6	0.63	1.181	1.26	1.62	27mm	32mm
05005/45FD	1	1	0.875	0.797	0.748	1.259	1.377	1.73	33mm	41mm

BSP male x BSP swivel female 45°
forged compact elbow

Nov-21
1012 METRIC

A/F dimensions are imperial unless stated.



	T1	T2	B1	B2	L1	L2	LL1	LL2	A/F	A/F1
05000/45FD	1/4	1/4	4.7	4.37	11	20.98	20.98	26.42	14mm	19mm
05001/45FD	3/8	3/8	7.92	6.88	11.99	24.99	23.98	31.75	17mm	22mm
05002/45FD	1/2	1/2	11.1	9.53	14	28.98	26.97	36.83	22mm	27mm
05004/45FD	3/4	3/4	16.74	15.24	16	30	32	41.15	27mm	32mm
05005/45FD	1	1	22.23	20.24	19	31.98	34.98	43.94	33mm	41mm