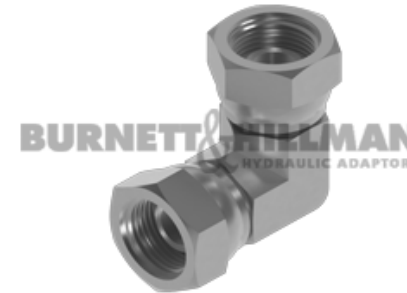
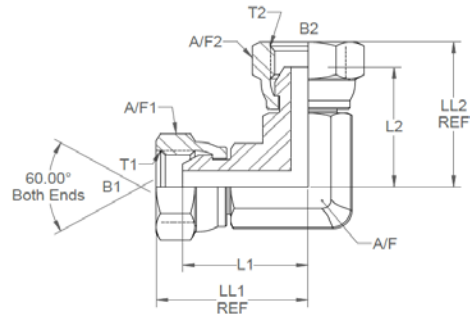


All dimensions are imperial unless stated.

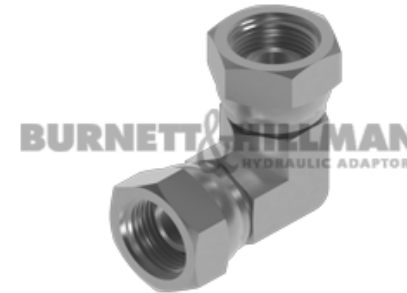
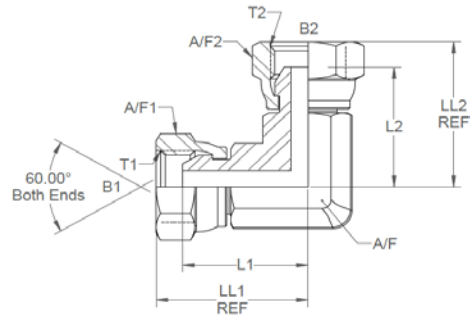


	T1	T2	B1	B2	L1	L2	LL1	LL2	A/F	A/F1	A/F2
05025FD	1/8	1/8	0.138	0.138	0.88	0.88	1.05	1.05	11mm	14mm	14mm
05026FD	1/4	1/4	0.177	0.177	0.91	0.91	1.08	1.08	14mm	19mm	19mm
05027FD	3/8	3/8	0.279	0.279	1.08	1.08	1.28	1.28	19mm	22mm	22mm
05028FD	1/2	1/2	0.381	0.381	1.16	1.16	1.32	1.32	24mm	27mm	27mm
05030FD	3/4	3/4	0.61	0.61	1.22	1.22	1.57	1.57	27mm	32mm	32mm
05031FD	1	1	0.803	0.803	1.732	1.732	2.11	2.11	32mm	41mm	41mm

**BSP swivel female x BSP swivel female**  
**90° forged compact elbow**

Nov-21  
1010 METRIC

A/F dimensions are imperial unless stated.



	T1	T2	B1	B2	L1	L2	LL1	LL2	A/F	A/F1	A/F2
05025FD	1/8	1/8	3.51	3.51	22.35	22.35	26.67	26.67	11mm	14mm	14mm
05026FD	1/4	1/4	4.5	4.50	23.11	23.11	27.43	27.43	14mm	19mm	19mm
05027FD	3/8	3/8	7.09	7.09	27.43	27.43	32.51	32.51	19mm	22mm	22mm
05028FD	1/2	1/2	9.68	9.68	29.46	29.46	33.53	33.53	24mm	27mm	27mm
05030FD	3/4	3/4	15.49	15.49	30.99	30.99	39.88	39.88	27mm	32mm	32mm
05031FD	1	1	20.4	20.40	43.99	43.99	53.59	53.59	32mm	41mm	41mm