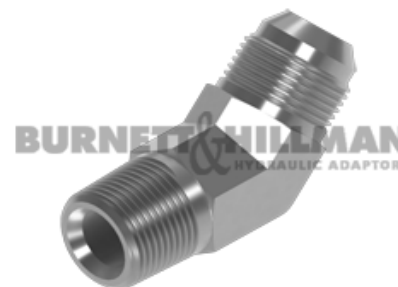
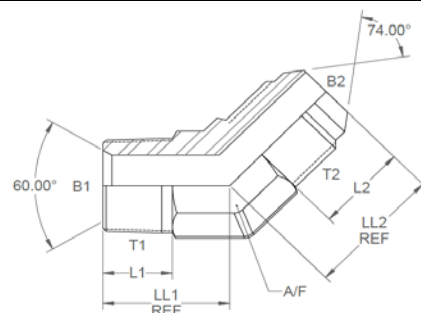


All dimensions are imperial unless stated.



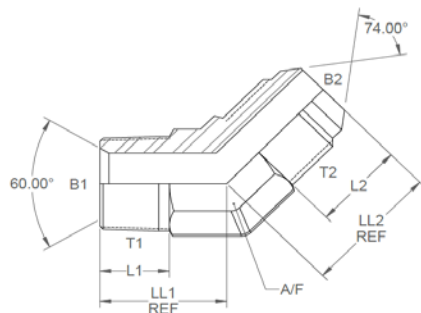
	T1	T2	B1	B2	L1	L2	LL1	LL2	A/F
04050/45FD	1/8	7/16	0.188	0.172	0.38	0.535	0.64	0.72	0.438
04052/45FD	1/8	9/16	0.188	0.297	0.38	0.541	0.64	0.83	0.562
04053/45FD	1/4	7/16	0.281	0.172	0.56	0.535	0.86	0.83	0.562
04055/45FD	1/4	9/16	0.281	0.297	0.56	0.541	0.86	0.83	0.562
04059/45FD	3/8	9/16	0.406	0.297	0.56	0.541	0.95	0.98	0.75
04060/45FD	3/8	3/4	0.406	0.391	0.56	0.642	0.95	0.98	0.75
04064/45FD	1/2	9/16	0.531	0.297	0.75	0.541	1.17	0.98	0.875
04065/45FD	1/2	3/4	0.531	0.391	0.75	0.642	1.17	0.98	0.875
04066/45FD	1/2	7/8	0.531	0.484	0.75	0.743	1.17	1.11	0.875
04073/45FD	3/4	1-1/16	0.719	0.609	0.75	0.849	1.2	1.28	1.062
04075/45FD	3/4	1-5/16	0.719	0.844	0.75	0.896	1.2	1.47	1.312
04076/45FD	1	1-5/16	0.938	0.844	0.94	0.896	1.48	1.47	1.312

DESIGN DETAILS AND SPECIFICATIONS SUBJECT TO CHANGE WITHOUT PRIOR NOTICE - Whilst every effort has been made to ensure the accuracy of the information supplied herein, Burnett & Hillman cannot be held responsible for any errors or omissions (E&OE)

NPTF male x JIC male 45° forged compact elbow

Nov-21
1009 METRIC

A/F dimensions are imperial unless stated.



	T1	T2	B1	B2	L1	L2	LL1	LL2	A/F
04050/45FD	1/8	7/16	4.78	4.37	9.65	13.59	16.26	18.29	0.438
04052/45FD	1/8	9/16	4.78	7.54	9.65	13.74	16.26	21.08	0.562
04053/45FD	1/4	7/16	7.14	4.37	14.22	13.59	21.84	21.08	0.562
04055/45FD	1/4	9/16	7.14	7.54	14.22	13.74	21.84	21.08	0.562
04059/45FD	3/8	9/16	10.31	7.54	14.22	13.74	24.13	24.89	0.75
04060/45FD	3/8	3/4	10.31	9.93	14.22	16.31	24.13	24.89	0.75
04064/45FD	1/2	9/16	13.49	7.54	19.05	13.74	29.72	24.89	0.875
04065/45FD	1/2	3/4	13.49	9.93	19.05	16.31	29.72	24.89	0.875
04066/45FD	1/2	7/8	13.49	12.29	19.05	18.87	29.72	28.19	0.875
04073/45FD	3/4	1-1/16	18.26	15.47	19.05	21.56	30.48	32.51	1.062
04075/45FD	3/4	1-5/16	18.26	21.44	19.05	22.76	30.48	37.34	1.312
04076/45FD	1	1-5/16	23.83	21.44	23.88	22.76	37.59	37.34	1.312