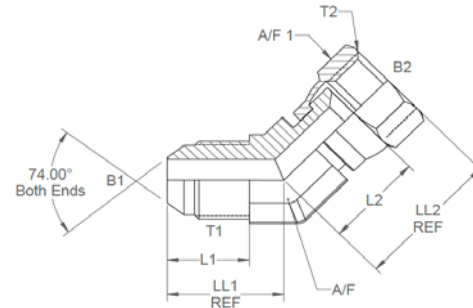


All dimensions are imperial unless stated.

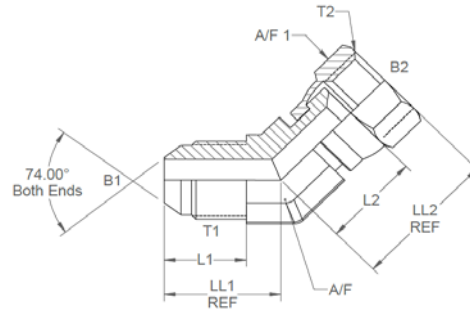


	T1	T2	B1	B2	L1	L2	LL1	LL2	A/F	A/F1
05050/45FD	7/16	7/16	0.172	0.172	0.535	0.598	0.72	0.94	0.438	0.562
05051/45FD	1/2	1/2	0.234	0.234	0.535	0.625	0.77	1	0.562	0.625
05052/45FD	9/16	9/16	0.297	0.297	0.541	0.744	0.83	1.12	0.562	0.687
05053/45FD	3/4	3/4	0.391	0.391	0.642	0.858	0.98	1.28	0.75	0.875
05054/45FD	7/8	7/8	0.484	0.484	0.743	0.94	1.11	1.44	0.875	1
05055/45FD	1-1/16	1-1/16	0.609	0.609	0.849	0.937	1.28	1.5	1.062	1.25
05056/45FD	1-5/16	1-5/16	0.844	0.844	0.896	1.153	1.47	1.75	1.312	1.5
05058/45FD	1-5/8	1-5/8	1.078	1.078	0.943	1.4	1.59	2.03	1.625	2
05059/45FD	1-7/8	1-7/8	1.312	1.312	1.068	1.519	1.78	2.25	1.875	2.25

JIC male x JIC swivel female 45° forged compact elbow

Nov-21
1008 METRIC

A/F dimensions are imperial unless stated.



	T1	T2	B1	B2	L1	L2	LL1	LL2	A/F	A/F1
05050/45FD	7/16	7/16	4.37	4.37	13.59	15.19	18.29	23.88	0.438	0.562
05051/45FD	1/2	1/2	5.94	5.94	13.59	15.88	19.56	25.4	0.562	0.625
05052/45FD	9/16	9/16	7.54	7.54	13.74	18.9	21.08	28.45	0.562	0.687
05053/45FD	3/4	3/4	9.93	9.93	16.31	21.79	24.89	32.51	0.75	0.875
05054/45FD	7/8	7/8	12.29	12.29	18.87	23.88	28.19	36.58	0.875	1
05055/45FD	1-1/16	1-1/16	15.47	15.47	21.56	23.8	32.51	38.1	1.062	1.25
05056/45FD	1-5/16	1-5/16	21.44	21.44	22.76	29.29	37.34	44.45	1.312	1.5
05058/45FD	1-5/8	1-5/8	27.38	27.38	23.95	35.56	40.39	51.56	1.625	2
05059/45FD	1-7/8	1-7/8	33.32	33.32	27.13	38.58	45.21	57.15	1.875	2.25