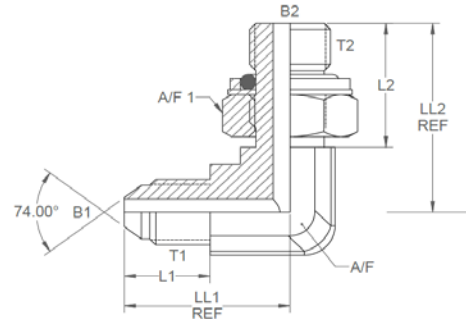


All dimensions are imperial unless stated.

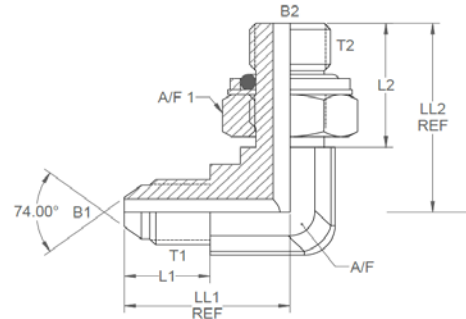


	T1	T2	B1	B2	L1	L2	LL1	LL2	A/F	A/F1
29499FDPOS	7/16	M10 x 1	0.172	0.118	0.535	0.708	0.855	1.047	12mm	14mm
29500FDPOS	7/16	M12 x 1.5	0.172	0.157	0.535	0.826	0.855	1.244	14mm	17mm
29501FDPOS	7/16	M14 x 1.5	0.172	0.236	0.535	0.826	0.855	1.362	14mm	19mm
29502FDPOS	9/16	M16 x 1.5	0.296	0.275	0.541	0.905	1.062	1.5	19mm	22mm
29503FDPOS	9/16	M18 x 1.5	0.296	0.354	0.541	1.023	1.062	1.606	19mm	24mm
29504FDPOS	3/4	M16 x 1.5	0.391	0.275	0.641	0.905	1.26	1.5	19mm	22mm
29505FDPOS	3/4	M18 x 1.5	0.391	0.354	0.641	1.023	1.26	1.5	19mm	24mm
29506FDPOS	3/4	M20 x 1.5	0.391	0.472	0.641	1.082	1.26	1.606	22mm	27mm
29507FDPOS	3/4	M22 x 1.5	0	0	0	0	0	0	0	0
29508FDPOS	7/8	M22 x 1.5	0.484	0.472	0.742	1.082	1.456	1.606	22mm	27mm
29509FDPOS	1-1/16	M22 x 1.5	0.609	0.472	0.848	1.082	1.653	1.9	27mm	27mm

**JIC male x METRIC male 1.5mm
positional 90° forged elbow**

Nov-21
1006 METRIC

A/F dimensions are imperial unless stated.



	T1	T2	B1	B2	L1	L2	LL1	LL2	A/F	A/F1
29499FDPOS	7/16	M10 x 1	4.37	3	13.59	17.98	21.72	26.59	12mm	14mm
29500FDPOS	7/16	M12 x 1.5	4.37	3.99	13.59	20.98	21.72	31.6	14mm	17mm
29501FDPOS	7/16	M14 x 1.5	4.37	5.99	13.59	20.98	21.72	34.59	14mm	19mm
29502FDPOS	9/16	M16 x 1.5	7.52	6.99	13.74	22.99	26.97	38.1	19mm	22mm
29503FDPOS	9/16	M18 x 1.5	7.52	8.99	13.74	25.98	26.97	40.79	19mm	24mm
29504FDPOS	3/4	M16 x 1.5	9.93	6.99	16.28	22.99	32	38.1	19mm	22mm
29505FDPOS	3/4	M18 x 1.5	9.93	8.99	16.28	25.98	32	38.1	19mm	24mm
29506FDPOS	3/4	M20 x 1.5	9.93	11.99	16.28	27.48	32	40.79	22mm	27mm
29507FDPOS	3/4	M22 x 1.5	0	0	0	0	0	0	0	0
29508FDPOS	7/8	M22 x 1.5	12.29	11.99	18.85	27.48	36.98	40.79	22mm	27mm
29509FDPOS	1-1/16	M22 x 1.5	15.47	11.99	21.54	27.48	41.99	48.26	27mm	27mm

DESIGN DETAILS AND SPECIFICATIONS SUBJECT TO CHANGE WITHOUT PRIOR NOTICE - Whilst every effort has been made to ensure the accuracy of the information supplied herein, Burnett & Hillman cannot be held responsible for any errors or omissions (E&OE)