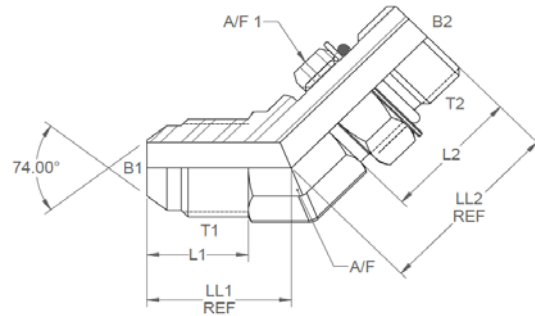


JIC male x UNF male 45° positional
forged elbow

Nov-21
1005 IMP

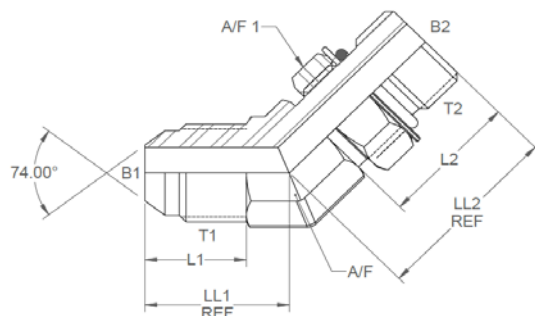
All dimensions are imperial unless stated.



	T1	T2	B1	B2	L1	L2	LL1	LL2	A/F	A/F1
03085FDPOS-45	7/16	7/16	0.172	0.172	0.535	0.73	0.72	1.05	0.438	0.562
03086FDPOS-45	1/2	1/2	0.234	0.234	0.535	0.73	0.77	1.05	0.562	0.625
03087FDPOS-45	9/16	9/16	0.297	0.297	0.541	0.75	0.83	1.14	0.562	0.687
03088-06FDPOS-45	3/4	9/16	0.391	0.291	0.642	0.75	0.98	1.3	0.75	0.687
03088FDPOS-45	3/4	3/4	0.391	0.391	0.642	0.86	0.98	1.3	0.75	0.875
03089FDPOS-45	7/8	7/8	0.484	0.484	0.743	1	1.11	1.52	0.875	1
03090FDPOS-45	1-1/16	1-1/16	0	0	0	0	0	0	0	0
03092FDPOS-45	1-5/16	1-5/16	0.844	0.844	0.896	1.14	1.47	1.86	1.312	1.5
03093FDPOS-45	1-7/8	1-7/8	0	0	0	0	0	0	0	0

DESIGN DETAILS AND SPECIFICATIONS SUBJECT TO CHANGE WITHOUT PRIOR NOTICE - Whilst every effort has been made to ensure the accuracy of the information supplied herein, Burnett & Hillman cannot be held responsible for any errors or omissions (E&OE)

A/F dimensions are imperial unless stated.



	T1	T2	B1	B2	L1	L2	LL1	LL2	A/F	A/F1
03085FDPOS-45	7/16	7/16	4.37	4.37	13.59	18.54	18.29	26.67	0.438	0.562
03086FDPOS-45	1/2	1/2	5.94	5.94	13.59	18.54	19.56	26.67	0.562	0.625
03087FDPOS-45	9/16	9/16	7.54	7.54	13.74	19.05	21.08	28.96	0.562	0.687
03088-06FDPOS-45	3/4	9/16	9.93	7.39	16.31	19.05	24.89	33.02	0.75	0.687
03088FDPOS-45	3/4	3/4	9.93	9.93	16.31	21.84	24.89	33.02	0.75	0.875
03089FDPOS-45	7/8	7/8	12.29	12.29	18.87	25.4	28.19	38.61	0.875	1
03090FDPOS-45	1-1/16	1-1/16	0	0	0	0	0	0	0	0
03092FDPOS-45	1-5/16	1-5/16	21.44	21.44	22.76	28.96	37.34	47.24	1.312	1.5
03093FDPOS-45	1-7/8	1-7/8	0	0	0	0	0	0	0	0