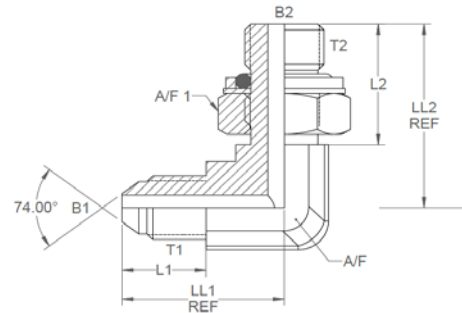


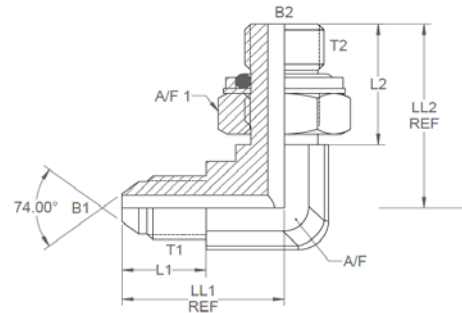
All dimensions are imperial unless stated.



	T1	T2	B1	B2	L1	L2	LL1	LL2	A/F	A/F1
27081FDPOS	7/16	1/8	0.172	0.173	0.535	0.7	0.882	1.043	12mm	14mm
27070FDPOS	7/16	1/4	0.172	0.295	0.535	0.913	0.897	1.26	14mm	19mm
01-90CFDP-04J06G	7/16	3/8	0.172	0.39	0.535	0.913	1.023	1.456	19mm	22mm
27071FDPOS	1/2	1/4	0	0	0	0	0	0	0	0
27072FDPOS	9/16	1/4	0.296	0.295	0.541	0.913	1.062	1.26	14mm	19mm
27073FDPOS	9/16	3/8	0.296	0.39	0.541	0.913	1.161	1.456	19mm	22mm
27077FDPOS	3/4	3/8	0.391	0.391	0.641	0.913	1.26	1.456	19mm	22mm
27074FDPOS	3/4	1/2	0.391	0.484	0.641	1.153	1.378	1.69	22mm	27mm
01-90CFDP-08J12G	3/4	3/4	0.391	0.61	0.641	1.153	1.5	1.949	27mm	36mm
27083FDPOS	3/4	3/4	0	0	0	0	0	0	0	0
27080FDPOS	7/8	3/8	0.484	0.39	0.742	0.913	1.456	1.456	22mm	22mm
27079FDPOS	7/8	1/2	0.484	0.484	0.742	1.153	1.456	1.69	22mm	27mm
27075-08FDPOS	1-1/16	1/2	0.609	0.484	0.848	1.153	1.653	1.69	27mm	27mm
27075FDPOS	1-1/16	3/4	0.609	0.61	0.848	1.153	1.653	1.949	27mm	36mm
27082FDPOS	1-5/16	3/4	0.844	0.61	0.895	1.153	1.811	1.949	33mm	36mm
27076FDPOS	1-5/16	1	0.844	0.846	0.895	1.33	1.811	2.047	33mm	41mm
27067FDPOS	1-7/8	1-1/2	1.312	1.3	1.068	1.181	2.322	2.381	48mm	55mm
01-90CFDP-24J32G	1-7/8	2	0	0	0	0	0	0	0	0

DESIGN DETAILS AND SPECIFICATIONS SUBJECT TO CHANGE WITHOUT PRIOR NOTICE - Whilst every effort has been made to ensure the accuracy of the information supplied herein, Burnett & Hillman cannot be held responsible for any errors or omissions (E&OE)

A/F dimensions are imperial unless stated.



	T1	T2	B1	B2	L1	L2	LL1	LL2	A/F	A/F1
27081FDPOS	7/16	1/8	4.37	4.39	13.59	17.78	22.4	26.49	12mm	14mm
27070FDPOS	7/16	1/4	4.37	7.49	13.59	23.19	22.78	32	14mm	19mm
01-90CFDP-04J06G	7/16	3/8	4.37	9.91	13.59	23.19	25.98	36.98	19mm	22mm
27071FDPOS	1/2	1/4	0	0	0	0	0	0	0	0
27072FDPOS	9/16	1/4	7.52	7.49	13.74	23.19	26.97	32	14mm	19mm
27073FDPOS	9/16	3/8	7.52	9.91	13.74	23.19	29.49	36.98	19mm	22mm
27077FDPOS	3/4	3/8	9.93	9.93	16.28	23.19	32	36.98	19mm	22mm
27074FDPOS	3/4	1/2	9.93	12.29	16.28	29.29	35	42.93	22mm	27mm
01-90CFDP-08J12G	3/4	3/4	9.93	15.49	16.28	29.29	38.1	49.5	27mm	36mm
27083FDPOS	3/4	3/4	0	0	0	0	0	0	0	0
27080FDPOS	7/8	3/8	12.29	9.91	18.85	23.19	36.98	36.98	22mm	22mm
27079FDPOS	7/8	1/2	12.29	12.29	18.85	29.29	36.98	42.93	22mm	27mm
27075-08FDPOS	1-1/16	1/2	15.47	12.29	21.54	29.29	41.99	42.93	27mm	27mm
27075FDPOS	1-1/16	3/4	15.47	15.49	21.54	29.29	41.99	49.5	27mm	36mm
27082FDPOS	1-5/16	3/4	21.44	15.49	22.73	29.29	46	49.5	33mm	36mm
27076FDPOS	1-5/16	1	21.44	21.49	22.73	33.78	46	51.99	33mm	41mm
27067FDPOS	1-7/8	1-1/2	33.32	33.02	27.13	30	58.98	60.48	48mm	55mm
01-90CFDP-24J32G	1-7/8	2	0	0	0	0	0	0	0	0

DESIGN DETAILS AND SPECIFICATIONS SUBJECT TO CHANGE WITHOUT PRIOR NOTICE - Whilst every effort has been made to ensure the accuracy of the information supplied herein, Burnett & Hillman cannot be held responsible for any errors or omissions (E&OE)