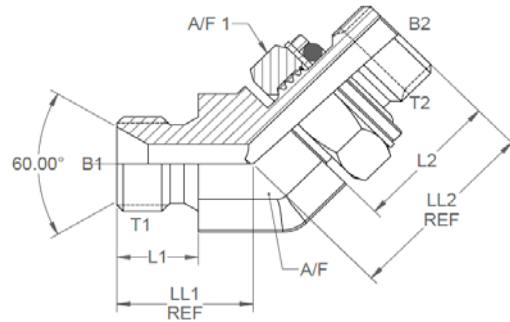


BSP male x BSP male 45° positional forged elbow

Nov-21
1002 IMP

All dimensions are imperial unless stated.



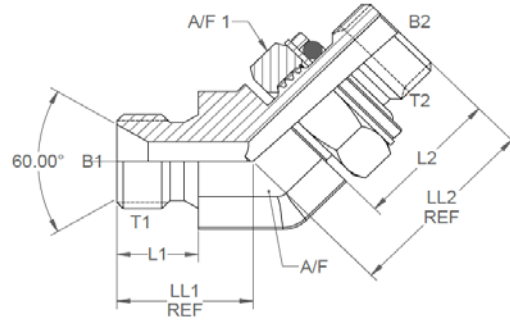
| | T1 | T2 | B1 | B2 | L1 | L2 | LL1 | LL2 | A/F | A/F1 |
|---------------|-------|-------|-------|-------|-------|-------|-------|-------|------|------|
| 03051FDPOS-45 | 1/4 | 1/4 | 0.205 | 0.296 | 0.433 | 0.787 | 0.826 | 1.017 | 17mm | 19mm |
| 03053FDPOS-45 | 3/8 | 3/8 | 0.312 | 0.39 | 0.472 | 0.787 | 0.944 | 1.339 | 19mm | 22mm |
| 03054FDPOS-45 | 1/2 | 1/2 | 0.437 | 0.484 | 0.551 | 1.027 | 1.062 | 1.614 | 24mm | 27mm |
| 03056FDPOS-45 | 3/4 | 3/4 | 0.659 | 0.61 | 0.63 | 1.027 | 1.26 | 1.732 | 32mm | 36mm |
| 03057FDPOS-45 | 1 | 1 | 0.875 | 0.846 | 0.748 | 1.181 | 1.378 | 1.89 | 41mm | 41mm |
| 03058FDPOS-45 | 1-1/4 | 1-1/4 | 1.125 | 1.082 | 0.787 | 1.181 | 1.456 | 1.929 | 50mm | 50mm |

DESIGN DETAILS AND SPECIFICATIONS SUBJECT TO CHANGE WITHOUT PRIOR NOTICE - Whilst every effort has been made to ensure the accuracy of the information supplied herein, Burnett & Hillman cannot be held responsible for any errors or omissions (E&OE)

**BSP male x BSP male 45° positional
forged elbow**

Nov-21
1002 METRIC

A/F dimensions are imperial unless stated.



| | T1 | T2 | B1 | B2 | L1 | L2 | LL1 | LL2 | A/F | A/F1 |
|---------------|-------|-------|-------|-------|-------|-------|-------|-------|------|------|
| 03051FDPOS-45 | 1/4 | 1/4 | 5.21 | 7.52 | 11 | 19.99 | 20.98 | 25.83 | 17mm | 19mm |
| 03053FDPOS-45 | 3/8 | 3/8 | 7.92 | 9.91 | 11.99 | 19.99 | 23.98 | 34.01 | 19mm | 22mm |
| 03054FDPOS-45 | 1/2 | 1/2 | 11.1 | 12.29 | 14 | 26.09 | 26.97 | 41 | 24mm | 27mm |
| 03056FDPOS-45 | 3/4 | 3/4 | 16.74 | 15.49 | 16 | 26.09 | 32 | 43.99 | 32mm | 36mm |
| 03057FDPOS-45 | 1 | 1 | 22.23 | 21.49 | 19 | 30 | 35 | 48.01 | 41mm | 41mm |
| 03058FDPOS-45 | 1-1/4 | 1-1/4 | 28.58 | 27.48 | 19.99 | 30 | 36.98 | 49 | 50mm | 50mm |

DESIGN DETAILS AND SPECIFICATIONS SUBJECT TO CHANGE WITHOUT PRIOR NOTICE - Whilst every effort has been made to ensure the accuracy of the information supplied herein, Burnett & Hillman cannot be held responsible for any errors or omissions (E&OE)