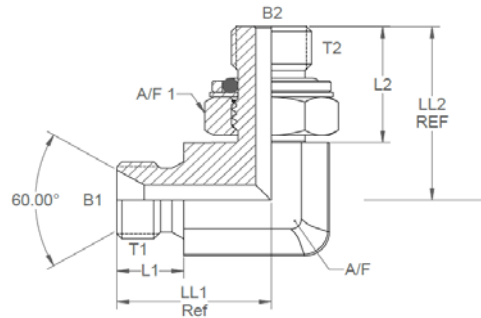
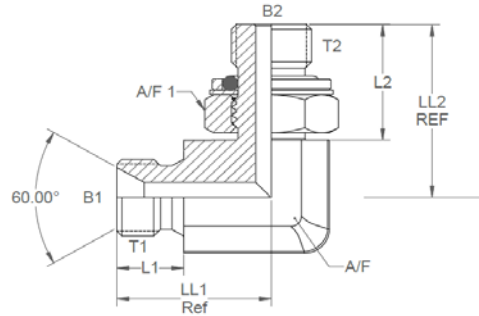


All dimensions are imperial unless stated.



	T1	T2	B1	B2	L1	L2	LL1	LL2	A/F	A/F1
03051FDPOS	1/4	1/4	0.205	0.296	0.433	0.787	1.023	1.377	17mm	19mm
03051-06FDPOS	1/4	3/8	0.185	0.39	0.433	0.787	1.023	1.417	19mm	22mm
03053FDPOS	3/8	3/8	0.312	0.39	0.472	0.787	1.181	1.417	22mm	22mm
03053-08FDPOS	3/8	1/2	0.312	0.437	0.472	1.027	1	1.692	22mm	27mm
03054FDPOS	1/2	1/2	0.437	0.484	0.551	1.027	1.377	1.692	24mm	27mm
03062FDPOS	1/2	3/4	0.437	0.61	0.551	1.027	1.377	1.85	27mm	36mm
03056-08FDPOS	3/4	1/2	0.659	0.484	0.63	1.027	1.653	1.692	27mm	27mm
03056FDPOS	3/4	3/4	0.659	0.61	0.63	1.027	1.653	1.85	32mm	36mm
03057FDPOS	1	1	0.875	0.846	0.748	1.181	1.85	2.126	41mm	41mm
03058FDPOS	1-1/4	1-1/4	1.125	1.082	0.787	1.181	2.047	2.322	50mm	50mm

A/F dimensions are imperial unless stated.



	T1	T2	B1	B2	L1	L2	LL1	LL2	A/F	A/F1
03051FDPOS	1/4	1/4	5.21	7.52	11	19.99	25.98	34.98	17mm	19mm
03051-06FDPOS	1/4	3/8	4.7	9.91	11	19.99	25.98	35.99	19mm	22mm
03053FDPOS	3/8	3/8	7.92	9.91	11.99	19.99	30	35.99	22mm	22mm
03053-08FDPOS	3/8	1/2	7.92	11.1	11.99	26.09	25.4	42.98	22mm	27mm
03054FDPOS	1/2	1/2	11.1	12.29	14	26.09	34.98	42.98	24mm	27mm
03062FDPOS	1/2	3/4	11.1	15.49	14	26.09	34.98	46.99	27mm	36mm
03056-08FDPOS	3/4	1/2	16.74	12.29	16	26.09	41.99	42.98	27mm	27mm
03056FDPOS	3/4	3/4	16.74	15.49	16	26.09	41.99	46.99	32mm	36mm
03057FDPOS	1	1	22.23	21.49	19	30	46.99	54	41mm	41mm
03058FDPOS	1-1/4	1-1/4	28.58	27.48	19.99	30	51.99	58.98	50mm	50mm

DESIGN DETAILS AND SPECIFICATIONS SUBJECT TO CHANGE WITHOUT PRIOR NOTICE - Whilst every effort has been made to ensure the accuracy of the information supplied herein, Burnett & Hillman cannot be held responsible for any errors or omissions (E&OE)