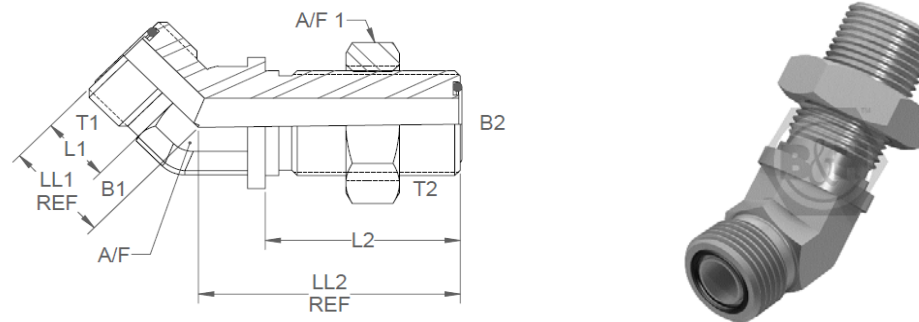


ORFS male x ORFS male 45° Bulkhead
WITH LOCKNUT

Nov-21
0933 IMP

All dimensions are imperial unless stated.

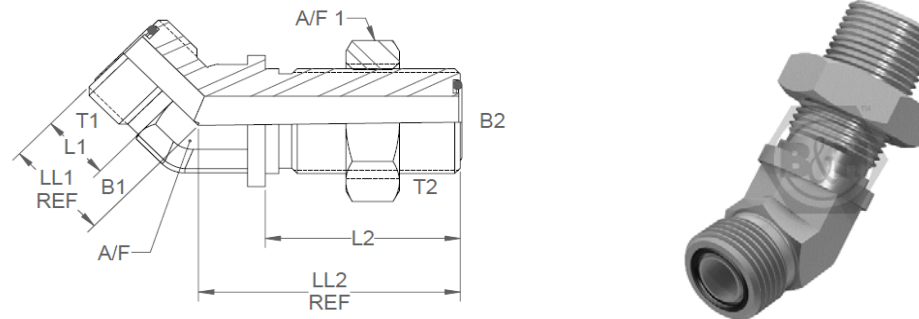


	T1	T2	B1	B2	L1	L2	LL1	LL2	A/F	A/F1
9375-04CWLN	11/16	11/16	0.264	0.264	0.41	1.34	0.74	1.91	0.75	1
9375-06CWLN	13/16	13/16	0.378	0.378	0.47	1.44	0.8	2.01	0.75	1.125
9375-08CWLN	1	1	0.484	0.484	0.55	1.6	0.92	2.23	1.062	1.312
9375-10CWLN	1-3/16	1-3/16	0.609	0.609	0.59	1.64	1.02	2.39	1.188	1.5
9375-12CWLN	1-7/16	1-7/16	0.811	0.811	0.61	1.66	1.18	2.57	1.438	1.75
9375-16CWLN	9/16	9/16	0.172	0.165	0.35	1.04	0.85	1.38	0.562	0.687

ORFS male x ORFS male 45° Bulkhead
WITH LOCKNUT

Nov-21
0933 METRIC

A/F dimensions are imperial unless stated.



	T1	T2	B1	B2	L1	L2	LL1	LL2	A/F	A/F1
9375-04CWLN	11/16	11/16	6.71	6.71	10.41	34.04	18.8	48.51	0.75	1
9375-06CWLN	13/16	13/16	9.6	9.6	11.94	36.58	20.32	51.05	0.75	1.125
9375-08CWLN	1	1	12.29	12.29	13.97	40.64	23.37	56.64	1.062	1.312
9375-10CWLN	1-3/16	1-3/16	15.47	15.47	14.99	41.66	25.91	60.71	1.188	1.5
9375-12CWLN	1-7/16	1-7/16	20.6	20.6	15.49	42.16	29.97	65.28	1.438	1.75
9375-16CWLN	9/16	9/16	4.37	4.19	8.89	26.42	21.59	35.05	0.562	0.687