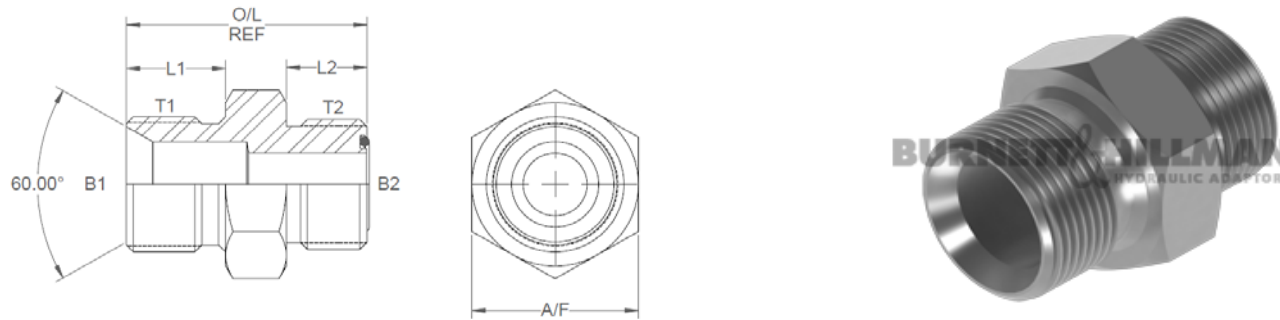


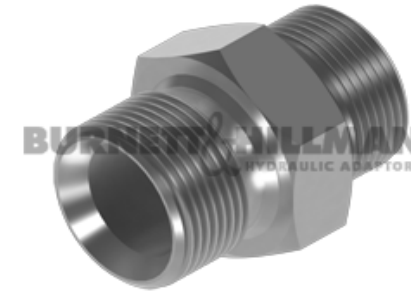
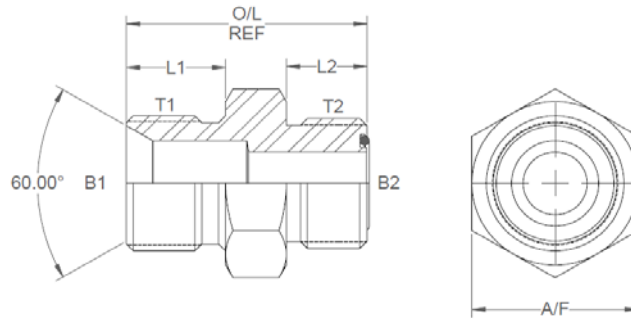
All dimensions are imperial unless stated.



	T1	T2	B1	B2	L1	L2	O/L	A/F
74005 -CWO	1/8	9/16	0.137	0.172	0.44	0.386	1.14	0.625
74024 -CWO	1/8	11/16	0.156	0.25	0.44	0.441	1.22	19mm
74000 -CWO	1/4	9/16	0.172		0.45	0.386	1.15	19mm
74006 -CWO	1/4	11/16	0.185	0.25	0.45	0.441	1.23	19mm
74030 -CWO	1/4	13/16	0.185	0.378	0.45	0.504	1.34	0.875
74019 -CWO	3/8	9/16	0.312	0.172	0.52	0.386	1.24	22mm
74001 -CWO	3/8	11/16	0.312	0.25	0.52	0.441	1.301	22mm
74007 -CWO	3/8	13/16	0.312	0.378	0.52	0.504	1.41	0.875
74021 -CWO	3/8	1	0.312	0.484	0.52	0.61	1.59	27mm
74026 -CWO	1/2	9/16	0.437	0.172	0.6	0.386	1.3	27mm
74015 -CWO	1/2	11/16	0.437	0.264	0.6	0.441	1.38	27mm
74002 -CWO	1/2	13/16	0.437	0.378	0.6	0.504	1.49	27mm
74008 -CWO	1/2	1	0.437	0.484	0.6	0.61	1.67	27mm
74011 -CWO	1/2	1-3/16	0.437	0.609	0.6	0.67	1.79	1.25
74018 -CWO	5/8	1	0.562	0.484	0.7	0.61	1.77	30mm
74014 -CWO	5/8	1-3/16	0	0	0	0	0	0
74025 -CWO	3/4	11/16	0.718	0.25	0.75	0.441	1.531	32mm
74023 -CWO	3/4	13/16	0.659	0.378	0.75	0.504	1.644	32mm
74009 -CWO	3/4	1	0.659	0.484	0.75	0.61	1.82	32mm
74003 -CWO	3/4	1-3/16	0.609	0.609	0.63	0.67	1.82	32mm

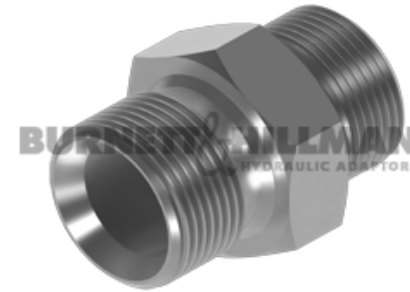
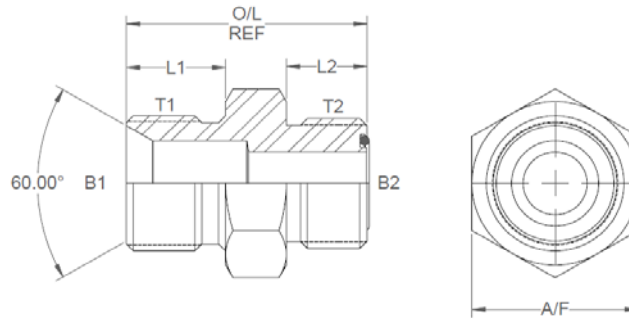
DESIGN DETAILS AND SPECIFICATIONS SUBJECT TO CHANGE WITHOUT PRIOR NOTICE - Whilst every effort has been made to ensure the accuracy of the information supplied herein, Burnett & Hillman cannot be held responsible for any errors or omissions (E&OE)

All dimensions are imperial unless stated.



	T1	T2	B1	B2	L1	L2	O/L	A/F
74016 -CWO	3/4	1-7/16	0.659	0.811	0.75	0.689	1.94	1.5
74027 -CWO	1	1	0.875	0.484	0.8	0.61	2.03	41mm
74017 -CWO	1	1-3/16	0.875	0.609	0.8	0.67	1.989	41mm
74004 -CWO	1	1-7/16	0.875	0.811	0.8	0.689	2.05	41mm
74012 -CWO	1	1-11/16	0.875	1.024	0.8	0.689	1.83	46mm
74022 -CWO	1-1/4	1-3/16	0	0	0	0	0	0
74020 -CWO	1-1/4	1-7/16	0	0	0	0	0	0
74010 -CWO	1-1/4	1-11/16	1.125	1.024	0.8	0.689	2.13	50mm
74028 -CWO	1-1/4	2	1.125	1.26	0.8	0.689	2.189	55mm
74013 -CWO	1-1/2	1-11/16	1.312	1.024	0.85	0.689	2.18	55mm
74029 -CWO	1-1/2	2	1.312	1.26	0.85	0.689	2.249	55mm

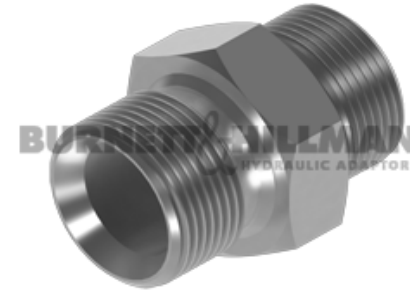
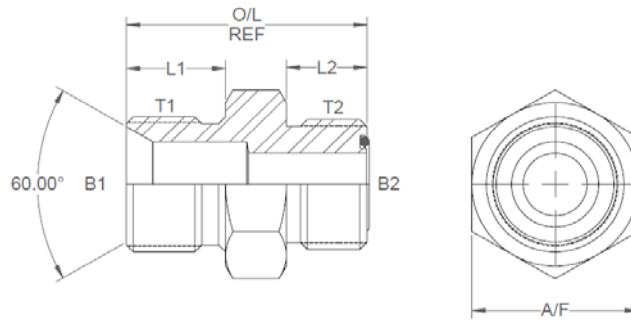
A/F dimensions are imperial unless stated.



	T1	T2	B1	B2	L1	L2	O/L	A/F
74005 -CWO	1/8	9/16	3.48	4.37	11.18	9.8	28.96	0.625
74024 -CWO	1/8	11/16	3.96	6.35	11.18	11.2	30.99	19mm
74000 -CWO	1/4	9/16	4.37		11.43	9.8	29.21	19mm
74006 -CWO	1/4	11/16	4.7	6.35	11.43	11.2	31.24	19mm
74030 -CWO	1/4	13/16	4.7	9.6	11.43	12.8	34.04	0.875
74019 -CWO	3/8	9/16	7.92	4.37	13.21	9.8	31.5	22mm
74001 -CWO	3/8	11/16	7.92	6.35	13.21	11.2	33.05	22mm
74007 -CWO	3/8	13/16	7.92	9.6	13.21	12.8	35.81	0.875
74021 -CWO	3/8	1	7.92	12.29	13.21	15.49	40.39	27mm
74026 -CWO	1/2	9/16	11.1	4.37	15.24	9.8	33.02	27mm
74015 -CWO	1/2	11/16	11.1	6.71	15.24	11.2	35.05	27mm
74002 -CWO	1/2	13/16	11.1	9.6	15.24	12.8	37.85	27mm
74008 -CWO	1/2	1	11.1	12.29	15.24	15.49	42.42	27mm
74011 -CWO	1/2	1-3/16	11.1	15.47	15.24	17.02	45.47	1.25
74018 -CWO	5/8	1	14.27	12.29	17.78	15.49	44.96	30mm
74014 -CWO	5/8	1-3/16	0	0	0	0	0	0
74025 -CWO	3/4	11/16	18.24	6.35	19.05	11.2	38.89	32mm
74023 -CWO	3/4	13/16	16.74	9.6	19.05	12.8	41.76	32mm
74009 -CWO	3/4	1	16.74	12.29	19.05	15.49	46.23	32mm
74003 -CWO	3/4	1-3/16	15.47	15.47	16	17.02	46.23	32mm

DESIGN DETAILS AND SPECIFICATIONS SUBJECT TO CHANGE WITHOUT PRIOR NOTICE - Whilst every effort has been made to ensure the accuracy of the information supplied herein, Burnett & Hillman cannot be held responsible for any errors or omissions (E&OE)

A/F dimensions are imperial unless stated.



	T1	T2	B1	B2	L1	L2	O/L	A/F
74016 -CWO	3/4	1-7/16	16.74	20.6	19.05	17.5	49.28	1.5
74027 -CWO	1	1	22.23	12.29	20.32	15.49	51.56	41mm
74017 -CWO	1	1-3/16	22.23	15.47	20.32	17.02	50.52	41mm
74004 -CWO	1	1-7/16	22.23	20.6	20.32	17.5	52.07	41mm
74012 -CWO	1	1-11/16	22.23	26.01	20.32	17.5	46.48	46mm
74022 -CWO	1-1/4	1-3/16	0	0	0	0	0	0
74020 -CWO	1-1/4	1-7/16	0	0	0	0	0	0
74010 -CWO	1-1/4	1-11/16	28.58	26.01	20.32	17.5	54.1	50mm
74028 -CWO	1-1/4	2	28.58	32	20.32	17.5	55.6	55mm
74013 -CWO	1-1/2	1-11/16	33.32	26.01	21.59	17.5	55.37	55mm
74029 -CWO	1-1/2	2	33.32	32	21.59	17.5	57.12	55mm

DESIGN DETAILS AND SPECIFICATIONS SUBJECT TO CHANGE WITHOUT PRIOR NOTICE - Whilst every effort has been made to ensure the accuracy of the information supplied herein, Burnett & Hillman cannot be held responsible for any errors or omissions (E&OE)