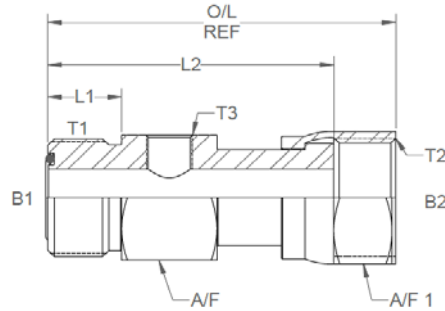


**ORFS male x ORFS swivel female
TEST POINT ADAPTOR**

Nov-21
0929 IMP

All dimensions are imperial unless stated.

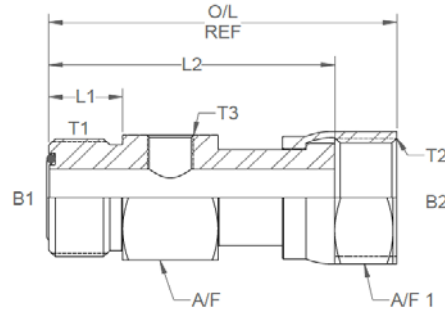


	T1	T2	T3	B1	B2	L1	L2	O/L	A/F	A/F1
9015-04-04-TP-B02	9/16	9/16	1/8	0.172	0.172	0.386	1.764	2.09	27mm	0.687
9015-06-06-TP-B02	11/16	11/16	1/8	0.264	0.264	0.441	1.913	2.25	27mm	0.812
9015-08-08-TP-B02	13/16	13/16	1/8	0.378	0.378	0.512	2.139	2.55	27mm	24mm
9015-10-10-TP-B02	1	1	1/8	0.484	0.484	0.61	2.362	2.85	27mm	1.125
9015-12-12-TP-B02	1-3/16	1-3/16	1/8	0.609	0.547	0.67	2.6	3.16	32mm	1.375
9015-16-16-TP-B04	1-7/16	1-7/16	1/4	0.811	0.783	0.689	2.66	3.24	41mm	41mm

**ORFS male x ORFS swivel female
TEST POINT ADAPTOR**

Nov-21
0929 METRIC

A/F dimensions are imperial unless stated.



	T1	T2	T3	B1	B2	L1	L2	O/L	A/F	A/F1
9015-04-04-TP-B02	9/16	9/16	1/8	4.37	4.37	9.8	44.81	53.09	27mm	0.687
9015-06-06-TP-B02	11/16	11/16	1/8	6.71	6.71	11.2	48.59	57.15	27mm	0.812
9015-08-08-TP-B02	13/16	13/16	1/8	9.6	9.6	13	54.33	64.77	27mm	24mm
9015-10-10-TP-B02	1	1	1/8	12.29	12.29	15.49	59.99	72.39	27mm	1.125
9015-12-12-TP-B02	1-3/16	1-3/16	1/8	15.47	13.89	17.02	66.04	80.26	32mm	1.375
9015-16-16-TP-B04	1-7/16	1-7/16	1/4	20.6	19.89	17.5	67.56	82.3	41mm	41mm