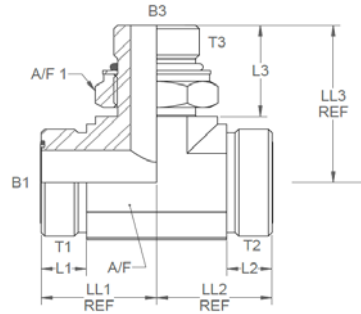
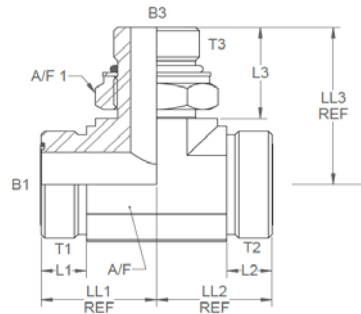


All dimensions are imperial unless stated.



	T1	T2	T3	B1	B3	L1	L2	L3	LL1	LL2	LL3	A/F	A/F1
9715-04-04-04	9/16	9/16	7/16	0.172	0.172	0.35	0.35	0.81	0.85	0.85	1.29	0.562	0.625
9715-06-06-06	11/16	11/16	9/16	0.264	0.264	0.41	0.41	0.88	0.98	0.98	1.45	0.750	0.75
9715-08-08-08	13/16	13/16	3/4	0.378	0.39	0.47	0.47	1.03	1.1	1.1	1.6	0.750	0.938
9715-10-10-10	1	1	7/8	0.484	0.484	0.55	0.55	1.19	1.31	1.31	1.97	1.062	1.062
9715-12-12-12	1-3/16	1-3/16	1-1/16	0.609	0.609	0.59	0.59	1.33	1.47	1.47	2.17	1.188	1.375
9715-16-16-16	1-7/16	1-7/16	1-5/16	0.811	0.811	0.61	0.61	1.36	1.64	1.64	2.35	1.438	1.625
9715-20-20-20	1-11/16	1-11/16	1-5/8	1.024	1.024	0.61	0.61	1.36	1.76	1.76	2.45	1.625	1.875
9715-24-24-24	2	2	1-7/8	1.26	1.26	0.61	0.61	1.36	1.92	1.92	2.59	1.875	2.125

A/F dimensions are imperial unless stated.



	T1	T2	T3	B1	B3	L1	L2	L3	LL1	LL2	LL3	A/F	A/F1
9715-04-04-04	9/16	9/16	7/16	4.37	4.37	8.89	8.89	20.57	21.59	21.59	32.77	0.562	0.625
9715-06-06-06	11/16	11/16	9/16	6.71	6.71	10.41	10.41	22.35	24.89	24.89	36.83	0.750	0.75
9715-08-08-08	13/16	13/16	3/4	9.6	9.91	11.94	11.94	26.16	27.94	27.94	40.64	0.750	0.938
9715-10-10-10	1	1	7/8	12.29	12.29	13.97	13.97	30.23	33.27	33.27	50.04	1.062	1.062
9715-12-12-12	1-3/16	1-3/16	1-1/16	15.47	15.47	14.99	14.99	33.78	37.34	37.34	55.12	1.188	1.375
9715-16-16-16	1-7/16	1-7/16	1-5/16	20.6	20.6	15.49	15.49	34.54	41.66	41.66	59.69	1.438	1.625
9715-20-20-20	1-11/16	1-11/16	1-5/8	26.01	26.01	15.49	15.49	34.54	44.7	44.7	62.23	1.625	1.875
9715-24-24-24	2	2	1-7/8	32	32	15.49	15.49	34.54	48.77	48.77	65.79	1.875	2.125