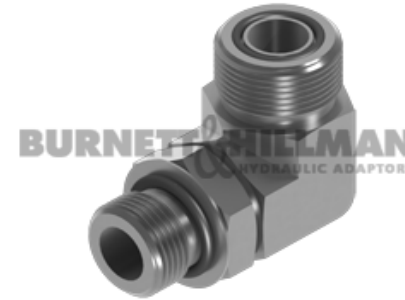
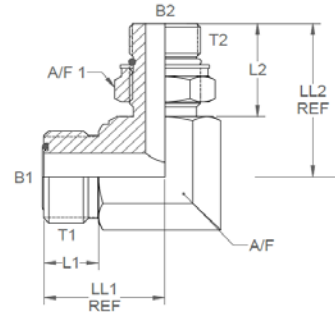
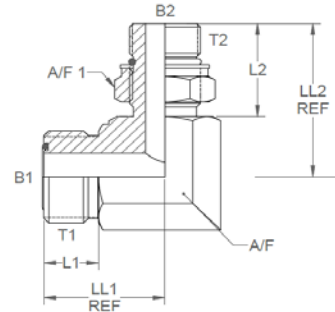


All dimensions are imperial unless stated.



	T1	T2	B1	B2	L1	L2	LL1	LL2	A/F	A/F1
9515-04-04	9/16	7/16	0.172	0.172	0.35	0.81	0.85	1.29	0.562	0.625
9515-04-06	9/16	9/16	0.172	0.295	0.35	0.88	0.85	1.45	0.750	0.75
9515-06-06	11/16	9/16	0.264	0.295	0.41	0.88	0.98	1.45	0.750	0.75
9515-06-08	11/16	3/4	0.264	0.39	0.41	1.03	0.98	1.6	0.750	0.938
9515-08-08	13/16	3/4	0.378	0.39	0.47	1.03	1.1	1.6	0.750	0.938
9515-10-08	1	3/4	0.484	0.39	0.55	1.03	1.31	1.8	1.062	0.938
9515-10-10	1	7/8	0.484	0.484	0.55	1.19	1.31	1.97	1.062	1.062
9515-10-12	1	1-1/16	0.484	0.609	0.55	1.33	1.47	2.17	1.188	1.375
9515-12-08	1-3/16	3/4	0.609	0.39	0.59	1.03	1.47	1.87	1.188	0.938
9515-12-12	1-3/16	1-1/16	0.609	0.609	0.59	1.33	1.47	2.17	1.188	1.375
9515-12-16	1-3/16	1-5/16	0.609	0.843	0.59	1.36	1.64	2.35	1.438	1.625
9515-16-16	1-7/16	1-5/16	0.811	0.843	0.61	1.36	1.64	2.35	1.438	1.625
9515-20-20	1-11/16	1-5/8	1.024	1.024	0.61	1.36	1.76	2.45	1.625	1.875
9515-24-24	2	1-7/8	1.26	1.312	0.61	1.36	1.92	2.59	1.875	2.125

A/F dimensions are imperial unless stated.



	T1	T2	B1	B2	L1	L2	LL1	LL2	A/F	A/F1
9515-04-04	9/16	7/16	4.37	4.37	8.89	20.57	21.59	32.77	0.562	0.625
9515-04-06	9/16	9/16	4.37	7.49	8.89	22.35	21.59	36.83	0.750	0.75
9515-06-06	11/16	9/16	6.71	7.49	10.41	22.35	24.89	36.83	0.750	0.75
9515-06-08	11/16	3/4	6.71	9.91	10.41	26.16	24.89	40.64	0.750	0.938
9515-08-08	13/16	3/4	9.6	9.91	11.94	26.16	27.94	40.64	0.750	0.938
9515-10-08	1	3/4	12.29	9.91	13.97	26.16	33.27	45.72	1.062	0.938
9515-10-10	1	7/8	12.29	12.29	13.97	30.23	33.27	50.04	1.062	1.062
9515-10-12	1	1-1/16	12.29	15.47	13.97	33.78	37.34	55.12	1.188	1.375
9515-12-08	1-3/16	3/4	15.47	9.91	14.99	26.16	37.34	47.5	1.188	0.938
9515-12-12	1-3/16	1-1/16	15.47	15.47	14.99	33.78	37.34	55.12	1.188	1.375
9515-12-16	1-3/16	1-5/16	15.47	21.41	14.99	34.54	41.66	59.69	1.438	1.625
9515-16-16	1-7/16	1-5/16	20.6	21.41	15.49	34.54	41.66	59.69	1.438	1.625
9515-20-20	1-11/16	1-5/8	26.01	26.01	15.49	34.54	44.7	62.23	1.625	1.875
9515-24-24	2	1-7/8	32	33.32	15.49	34.54	48.77	65.79	1.875	2.125