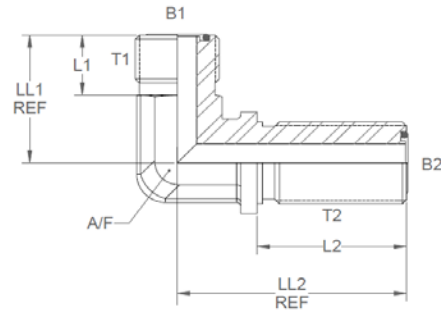
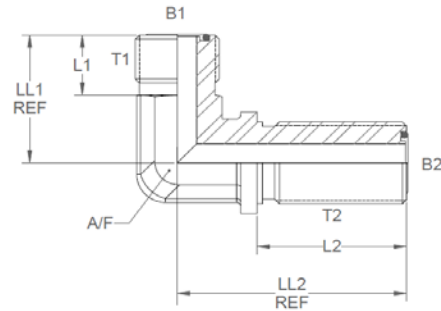


All dimensions are imperial unless stated.



	T1	T2	B1	B2	L1	L2	LL1	LL2	A/F
9525-04-04	9/16	9/16	0.172	0.172	0.35	1.24	0.89	1.85	0.562
9525-06-06	11/16	11/16	0.264	0.264	0.41	1.34	1.02	2.05	0.75
9525-08-08	13/16	13/16	0.378	0.378	0.47	1.44	1.14	2.18	0.75
9525-10-10	1	1	0.484	0.484	0.55	1.6	1.36	2.48	1.062
9525-12-12	1-3/16	1-3/16	0.609	0.609	0.59	1.64	1.52	2.65	1.188
9525-16-16	1.7/16	1-7/16	0.811	0.811	0.61	1.66	1.67	2.8	1.438
9525-20-20	1-11/16	1-11/16	1.024	1.024	0.61	1.66	1.79	2.97	1.625
9525-24-24	2	2	1.26	1.26	0.61	1.66	1.95	3.13	1.875

A/F dimensions are imperial unless stated.



	T1	T2	B1	B2	L1	L2	LL1	LL2	A/F
9525-04-04	9/16	9/16	4.37	4.37	8.89	31.5	22.61	46.99	0.562
9525-06-06	11/16	11/16	6.71	6.71	10.41	34.04	25.91	52.07	0.75
9525-08-08	13/16	13/16	9.6	9.6	11.94	36.58	28.96	55.37	0.75
9525-10-10	1	1	12.29	12.29	13.97	40.64	34.54	62.99	1.062
9525-12-12	1-3/16	1-3/16	15.47	15.47	14.99	41.66	38.61	67.31	1.188
9525-16-16	1.7/16	1-7/16	20.6	20.6	15.49	42.16	42.42	71.12	1.438
9525-20-20	1-11/16	1-11/16	26.01	26.01	15.49	42.16	45.47	75.44	1.625
9525-24-24	2	2	32	32	15.49	42.16	49.53	79.5	1.875