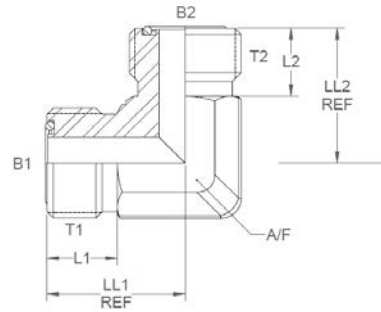


All dimensions are imperial unless stated.

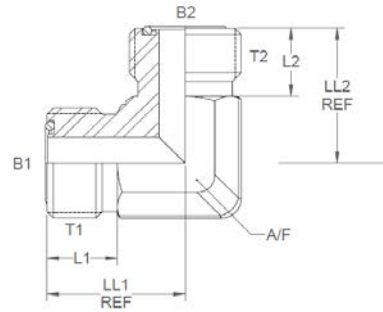


	T1	T2	B1	B2	L1	L2	LL1	LL2	A/F
9505-04-04	9/16	9/16	0.172	0.172	0.35	0.35	0.85	0.85	0.562
9505-06-06	11/16	11/16	0.264	0.264	0.41	0.41	0.98	0.98	0.75
9505-08-08	13/16	13/16	0.378	0.378	0.47	0.47	1.1	1.1	0.75
9505-10-10	1	1	0.484	0.484	0.55	0.55	1.31	1.31	1.062
9505-12-12	1-3/16	1-3/16	0.609	0.609	0.59	0.59	1.47	1.47	1.188
9505-16-16	1-7/16	1.7/16	0.811	0.811	0.61	0.61	1.64	1.64	1.438
9505-20-20	1-11/16	1-11/16	1.024	1.024	0.61	0.61	1.76	1.76	1.625
9505-24-24	2	2	1.26	1.26	0.61	0.61	1.92	1.92	1.875

ORFS male x ORFS male 90° forged compact elbow

Nov-21
0916 METRIC

A/F dimensions are imperial unless stated.



	T1	T2	B1	B2	L1	L2	LL1	LL2	A/F
9505-04-04	9/16	9/16	4.37	4.37	8.89	8.89	21.59	21.59	0.562
9505-06-06	11/16	11/16	6.71	6.71	10.41	10.41	24.89	24.89	0.75
9505-08-08	13/16	13/16	9.6	9.6	11.94	11.94	27.94	27.94	0.75
9505-10-10	1	1	12.29	12.29	13.97	13.97	33.27	33.27	1.062
9505-12-12	1-3/16	1-3/16	15.47	15.47	14.99	14.99	37.34	37.34	1.188
9505-16-16	1-7/16	1.7/16	20.6	20.6	15.49	15.49	41.66	41.66	1.438
9505-20-20	1-11/16	1-11/16	26.01	26.01	15.49	15.49	44.7	44.7	1.625
9505-24-24	2	2	32	32	15.49	15.49	48.77	48.77	1.875