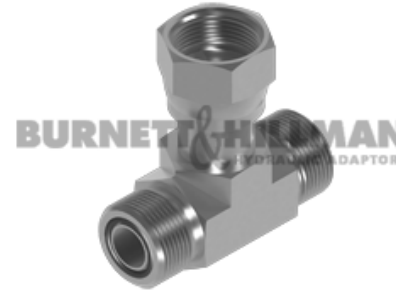
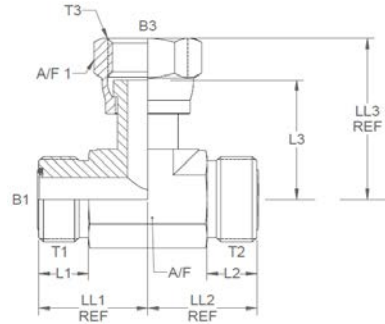
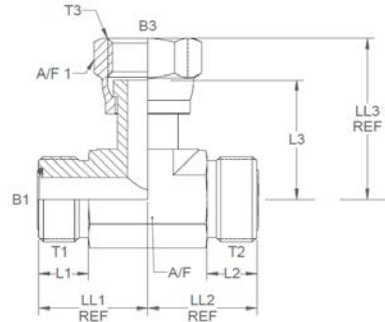


All dimensions are imperial unless stated.



	T1	T2	T3	B1	B2	L1	L2	L3	LL1	LL2	LL3	A/F	A/F1
9707-04-04-04	9/16	9/16	9/16	0.172	0.165	0.35	0.35	1.04	0.85	0.85	1.415	0.562	0.687
9707-06-06-06	11/16	11/16	11/16	0.264	0.264	0.41	0.41	1.15	0.98	0.98	1.52	0.75	0.812
9707-08-08-08	13/16	13/16	13/16	0.378	0.358	0.47	0.47	1.49	1.1	1.1	1.92	0.75	0.938
9707-10-10-10	1	1	1	0.484	0.453	0.55	0.55	1.62	1.31	1.31	2.09	1.062	1.125
9707-12-12-12	1-3/16	1-3/16	1-3/16	0.609	0.547	0.59	0.59	1.82	1.47	1.47	2.25	1.188	1.375
9707-16-16-16	1-7/16	1-7/16	1-7/16	0.811	0.783	0.61	0.61	2.1	1.64	1.64	2.69	1.438	1.625
9707-20-20-20	1-11/16	1-11/16	1-11/16	1.024	1.024	0.61	0.61	2.29	1.76	1.76	2.83	1.625	1.875
9707-24-24-24	2	2	2	1.26	1.26	0.689	0.689	2.249	1.815	1.815	3.09	2.25	2.25

A/F dimensions are imperial unless stated.



	T1	T2	T3	B1	B2	L1	L2	L3	LL1	LL2	LL3	A/F	A/F1
9707-04-04-04	9/16	9/16	9/16	4.37	4.19	8.89	8.89	26.42	21.59	21.59	35.94	0.562	0.687
9707-06-06-06	11/16	11/16	11/16	6.71	6.71	10.41	10.41	29.21	24.89	24.89	38.61	0.75	0.812
9707-08-08-08	13/16	13/16	13/16	9.6	9.09	11.94	11.94	37.85	27.94	27.94	48.77	0.75	0.938
9707-10-10-10	1	1	1	12.29	11.51	13.97	13.97	41.15	33.27	33.27	53.09	1.062	1.125
9707-12-12-12	1-3/16	1-3/16	1-3/16	15.47	13.89	14.99	14.99	46.23	37.34	37.34	57.15	1.188	1.375
9707-16-16-16	1-7/16	1-7/16	1-7/16	20.6	19.89	15.49	15.49	53.34	41.66	41.66	68.33	1.438	1.625
9707-20-20-20	1-11/16	1-11/16	1-11/16	26.01	26.01	15.49	15.49	58.17	44.7	44.7	71.88	1.625	1.875
9707-24-24-24	2	2	2	32	32	17.5	17.5	57.12	46.1	46.1	78.49	2.25	2.25