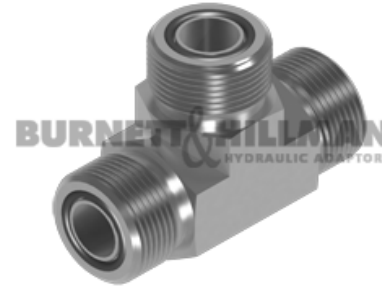
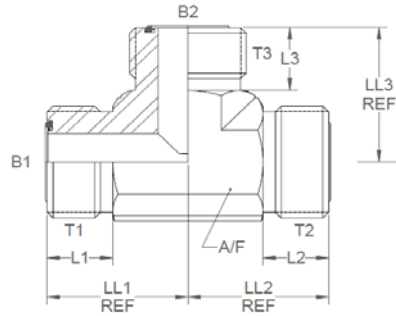
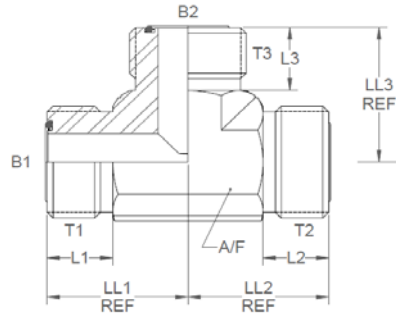


All dimensions are imperial unless stated.



	T1	T2	T3	B1	B2	L1	L2	L3	LL1	LL2	LL3	A/F
9705-04-04-04	9/16	9/16	9/16	0.172	0.172	0.35	0.35	0.35	0.85	0.85	0.85	0.562
9705-06-06-06	11/16	11/16	11/16	0.264	0.264	0.41	0.41	0.41	0.98	0.98	0.98	0.75
9705-08-08-08	13/16	13/16	13/16	0.378	0.378	0.47	0.47	0.47	1.1	1.1	1.1	0.75
9705-10-10-10	1	1	1	0.484	0.484	0.55	0.55	0.55	1.31	1.31	1.31	1.062
9705-12-12-12	1-3/16	1-3/16	1-3/16	0.609	0.609	0.59	0.59	0.59	1.47	1.47	1.47	1.188
9705-16-16-16	1-7/16	1-7/16	1-7/16	0.811	0.811	0.61	0.61	0.61	1.64	1.64	1.64	1.438
9705-20-20-20	1-11/16	1-11/16	1-11/16	1.024	1.024	0.61	0.61	0.61	1.76	1.76	1.76	1.625
9705-24-24-24	2	2	2	1.26	1.26	0.61	0.61	0.61	1.92	1.92	1.92	1.875

A/F dimensions are imperial unless stated.



	T1	T2	T3	B1	B2	L1	L2	L3	LL1	LL2	LL3	A/F
9705-04-04-04	9/16	9/16	9/16	0.172	0.172	0.35	0.35	0.35	0.85	0.85	0.85	0.562
9705-06-06-06	11/16	11/16	11/16	0.264	0.264	0.41	0.41	0.41	0.98	0.98	0.98	0.75
9705-08-08-08	13/16	13/16	13/16	0.378	0.378	0.47	0.47	0.47	1.1	1.1	1.1	0.75
9705-10-10-10	1	1	1	0.484	0.484	0.55	0.55	0.55	1.31	1.31	1.31	1.062
9705-12-12-12	1-3/16	1-3/16	1-3/16	0.609	0.609	0.59	0.59	0.59	1.47	1.47	1.47	1.188
9705-16-16-16	1-7/16	1-7/16	1-7/16	0.811	0.811	0.61	0.61	0.61	1.64	1.64	1.64	1.438
9705-20-20-20	1-11/16	1-11/16	1-11/16	1.024	1.024	0.61	0.61	0.61	1.76	1.76	1.76	1.625
9705-24-24-24	2	2	2	1.26	1.26	0.61	0.61	0.61	1.92	1.92	1.92	1.875