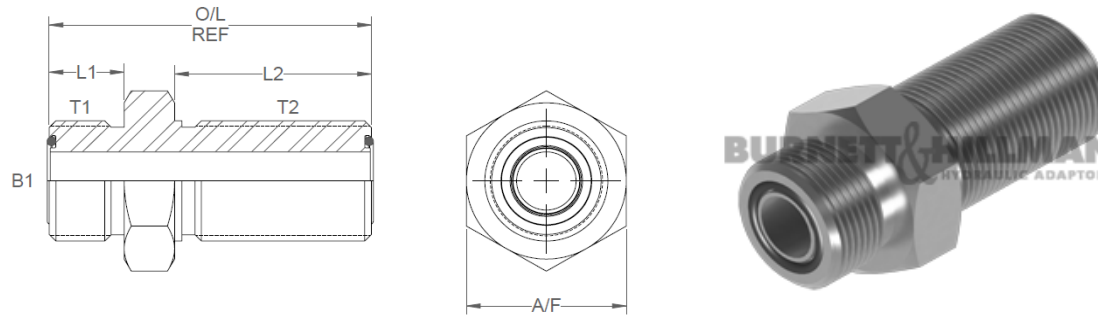
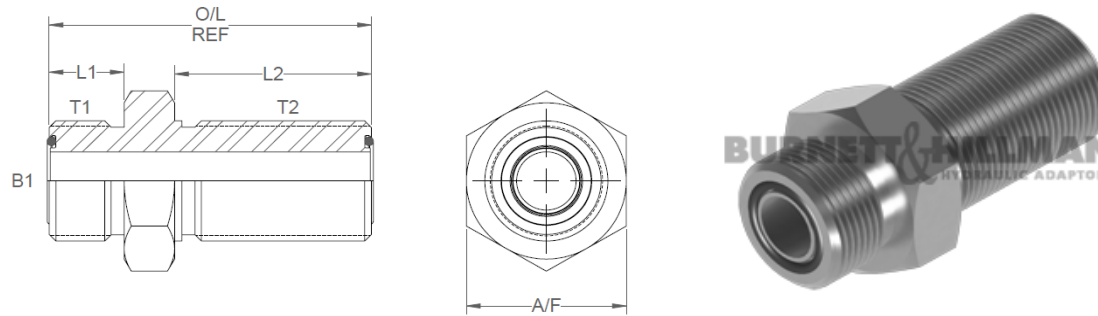


All dimensions are imperial unless stated.



	T1	T2	B1	L1	L2	O/L	A/F
9325-04	9/16	9/16	0.172	0.386	1.24	1.9	0.812
9325-06	11/16	11/16	0.264	0.441	1.34	2.09	1
9325-08	13/16	13/16	0.378	0.504	1.44	2.3	1.125
9325-10	1	1	0.484	0.61	1.6	2.62	1.312
9325-12	1-3/16	1-3/16	0.609	0.67	1.64	2.72	1.5
9325-16	1-7/16	1-7/16	0.811	0.689	1.66	2.76	1.75
9325-20	1-11/16	1-11/16	1.024	0.689	1.66	2.76	50mm

A/F dimensions are imperial unless stated.



	T1	T2	B1	L1	L2	O/L	A/F
9325-04	9/16	9/16	4.37	9.8	31.5	48.26	0.812
9325-06	11/16	11/16	6.71	11.2	34.04	53.09	1
9325-08	13/16	13/16	9.6	12.8	36.58	58.42	1.125
9325-10	1	1	12.29	15.49	40.64	66.55	1.312
9325-12	1-3/16	1-3/16	15.47	17.02	41.66	69.09	1.5
9325-16	1-7/16	1-7/16	20.6	17.5	42.16	70.1	1.75
9325-20	1-11/16	1-11/16	26.01	17.5	42.16	70.1	50mm