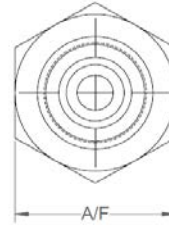
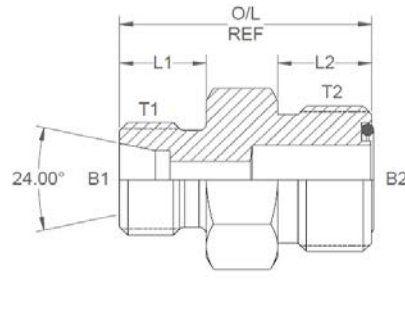


METRIC male by 1.5mm pitch 24° cone
tube fitting x ORFS male

Nov-21
0907 IMP

All dimensions are imperial unless stated.

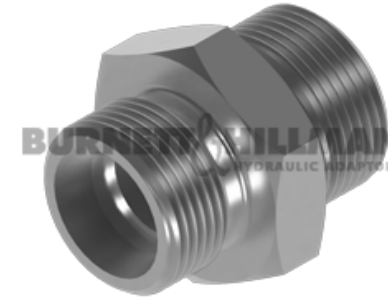
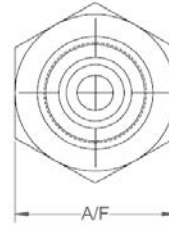
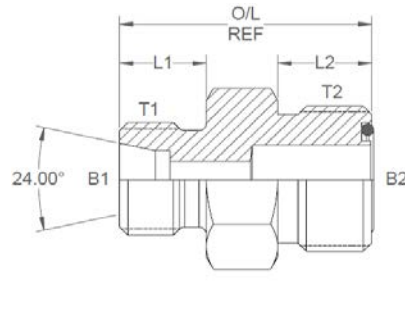


| | T1 | T2 | B1 | B2 | L1 | L2 | O/L | A/F |
|------------|-----|-------|-------|-------|------|-------|------|-------|
| 474007-10L | M16 | 13/16 | 0.296 | 0.378 | 0.52 | 0.504 | 1.41 | 0.875 |
| 474007-08S | M16 | 13/16 | 0.234 | 0.378 | 0.52 | 0.504 | 1.41 | 0.875 |

METRIC male by 1.5mm pitch 24° cone
tube fitting x ORFS male

Nov-21
0907 METRIC

A/F dimensions are imperial unless stated.



| | T1 | T2 | B1 | B2 | L1 | L2 | O/L | A/F |
|------------|-----|-------|------|-----|-------|------|-------|-------|
| 474007-10L | M16 | 13/16 | 7.52 | 9.6 | 13.21 | 12.8 | 35.81 | 0.875 |
| 474007-08S | M16 | 13/16 | 5.94 | 9.6 | 13.21 | 12.8 | 35.81 | 0.875 |