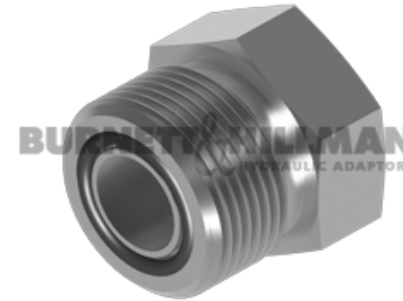
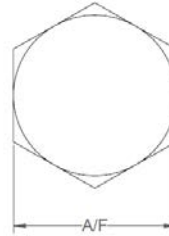
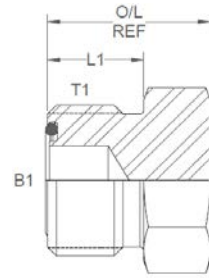
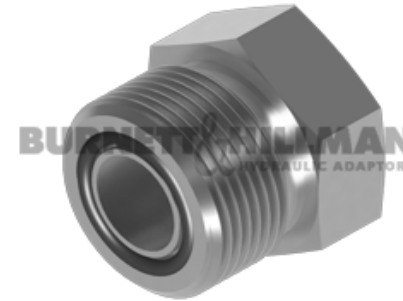
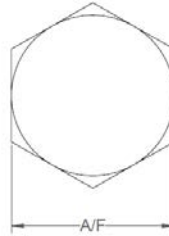
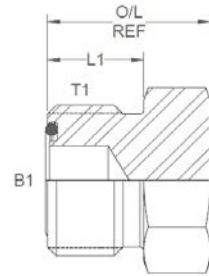


All dimensions are imperial unless stated.



	T1	B1	L1	O/L	A/F
96000	9/16	0.172	0.386	0.656	0.625
96001	11/16	0.264	0.441	0.75	0.75
96002	13/16	0.378	0.504	0.854	0.875
96003	1	0.484	0.61	1.02	1.062
96004	1-3/16	0.609	0.67	1.08	1.25
96005	1-7/16	0.811	0.689	1.099	1.5
96006	1-11/16	1.024	0.689	1.099	1.75
96007	2	1.26	0.689	1.099	55mm

A/F dimensions are imperial unless stated.



	T1	B1	L1	O/L	A/F
96000	9/16	4.37	9.8	16.66	0.625
96001	11/16	6.71	11.2	19.05	0.75
96002	13/16	9.6	12.8	21.69	0.875
96003	1	12.29	15.49	25.91	1.062
96004	1-3/16	15.47	17.02	27.43	1.25
96005	1-7/16	20.6	17.5	27.91	1.5
96006	1-11/16	26.01	17.5	27.91	1.75
96007	2	32	17.5	27.91	55mm