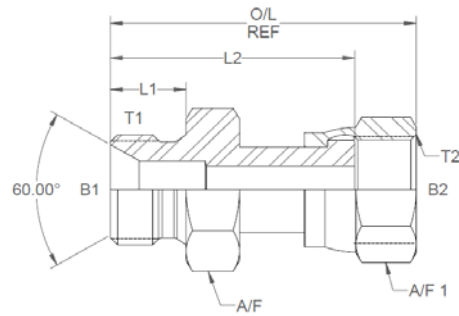


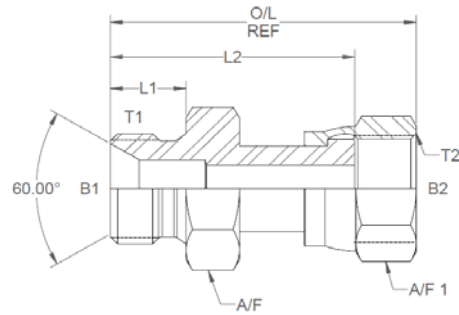
All dimensions are imperial unless stated.



	T1	T2	B1	B2	L1	L2	O/L	A/F	A/F1
96400	1/4	9/16	0.185	0.185	0.433	1.26	1.6	19mm	0.687
96410	1/4	11/16	0.185	0.185	0.45	1.395	1.725	19mm	0.812
96411	1/4	13/16	0.185	0.358	0.45	1.6	2.01	22mm	24mm
96420	3/8	9/16	0.312	0.185	0.472	1.363	1.69	22mm	0.687
96430	3/8	11/16	0.312	0.264	0.472	1.457	1.816	22mm	0.812
96440	3/8	13/16	0.312	0.312	0.52	1.66	2.11	22mm	24mm
96450	1/2	13/16	0.437	0.358	0.551	1.771	2.205	27mm	24mm
96460	1/2	1	0.437	0.437	0.551	1.906	2.42	27mm	1.125
96465	1/2	1-3/16	0.437	0.547	0.6	2.1	2.68	32mm	1.375
96468	5/8	1	0.562	0.484	0.7	2.085	2.555	30mm	1.125
96469	3/4	13/16	0.659	0.358	0.75	2.04	2.46	32mm	24mm
96471	3/4	1	0.659	0.484	0.75	2.11	2.6	32mm	1.125
96470	3/4	1-3/16	0.659	0.54	0.63	2.13	2.7	32mm	1.375
96480	3/4	1-7/16	0.659	0.783	0.63	2.212	2.8	1.5	41mm
96490	1	1-7/16	0.875	0.783	0.748	2.328	2.91	41mm	41mm
96510	1	1-11/16	0.875	1.024	0.748	2.33	2.86	50mm	50mm
96500	1-1/4	1-11/16	1.125	1.024	0.787	2.369	2.89	50mm	50mm
96520	1-1/2	2	1.312	1.26	0.85	2.78	3.35	55mm	60mm

DESIGN DETAILS AND SPECIFICATIONS SUBJECT TO CHANGE WITHOUT PRIOR NOTICE - Whilst every effort has been made to ensure the accuracy of the information supplied herein, Burnett & Hillman cannot be held responsible for any errors or omissions (E&OE)

A/F dimensions are imperial unless stated.



	T1	T2	B1	B2	L1	L2	O/L	A/F	A/F1
96400	1/4	9/16	4.7	4.7	11	32	40.64	19mm	0.687
96410	1/4	11/16	4.7	4.7	11.43	35.43	43.82	19mm	0.812
96411	1/4	13/16	4.7	9.09	11.43	40.64	51.05	22mm	24mm
96420	3/8	9/16	7.92	4.7	11.99	34.62	42.93	22mm	0.687
96430	3/8	11/16	7.92	6.71	11.99	37.01	46.13	22mm	0.812
96440	3/8	13/16	7.92	7.92	13.21	42.16	53.59	22mm	24mm
96450	1/2	13/16	11.1	9.09	14	44.98	56.01	27mm	24mm
96460	1/2	1	11.1	11.1	14	48.41	61.47	27mm	1.125
96465	1/2	1-3/16	11.1	13.89	15.24	53.34	68.07	32mm	1.375
96468	5/8	1	14.27	12.29	17.78	52.96	64.9	30mm	1.125
96469	3/4	13/16	16.74	9.09	19.05	51.82	62.48	32mm	24mm
96471	3/4	1	16.74	12.29	19.05	53.59	66.04	32mm	1.125
96470	3/4	1-3/16	16.74	13.72	16	54.1	68.58	32mm	1.375
96480	3/4	1-7/16	16.74	19.89	16	56.18	71.12	1.5	41mm
96490	1	1-7/16	22.23	19.89	19	59.13	73.91	41mm	41mm
96510	1	1-11/16	22.23	26.01	19	59.18	72.64	50mm	50mm
96500	1-1/4	1-11/16	28.58	26.01	19.99	60.17	73.41	50mm	50mm
96520	1-1/2	2	33.32	32	21.59	70.61	85.09	55mm	60mm

DESIGN DETAILS AND SPECIFICATIONS SUBJECT TO CHANGE WITHOUT PRIOR NOTICE - Whilst every effort has been made to ensure the accuracy of the information supplied herein, Burnett & Hillman cannot be held responsible for any errors or omissions (E&OE)