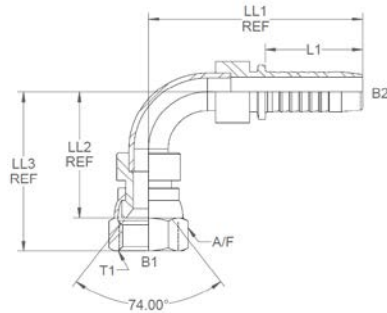
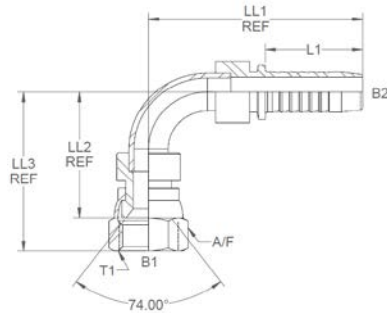


All dimensions are imperial unless stated.



	T1	T2	B1	B2	L1	LL1	LL2	LL3	A/F
94101S	7/16	1/4 HT	0.156	0.156	1.105	2	1.03	1.38	15mm
94102S	9/16	3/8 HT	0.296	0.281	1.18	2.4	1.35	1.7	19mm
94107S	3/4	1/2 HT	0.39	0.375	1.24	2.8	1.59	2.03	24mm
94105S	1-1/16	3/4 HT	0.593	0.6	1.555	3.7	2.16	2.66	32mm
94106S	1-5/16	1 HT	0.812	0.797	2.09	5	2.95	3.5	41mm

A/F dimensions are imperial unless stated.



	T1	T2	B1	B2	L1	LL1	LL2	LL3	A/F
94101S	7/16	1/4 HT	3.96	3.96	28.07	50.8	26.16	15mm	15mm
94102S	9/16	3/8 HT	7.52	7.14	29.97	60.96	34.29	19mm	19mm
94107S	3/4	1/2 HT	9.91	9.53	31.5	71.12	40.39	24mm	24mm
94105S	1-1/16	3/4 HT	15.06	15.24	39.5	93.98	54.86	32mm	32mm
94106S	1-5/16	1 HT	20.62	20.24	53.09	127	74.93	41mm	41mm